



Fliteway Technologies, Inc.

Remediation Equipment Trailer

2129 East Birchwood Ave. Cudahy, WI 53110

(414) 483-5600 1-800-236-3580 FAX (414) 483-1957

Interstate Mfg. Inc.
 68935 Union Street
 White Pigeon, MI 49099

Work Order	IM075734	Page	1
Jig Date	04/08/12 - 19		
Vin Number			

050175
 Bill to: ELDORADO TRAILER SALES LLC Ship to: FLIGHTWAY

FRAME DRAWINGS TOMORROW

Ordered	W/O Date	P/O Number	Ship Via	F.O.B.	Terms	SM
03/27/12	03/27/12		DEALER PU		COD	975

Option	Qty	U/M	Part Number/Description
	1	EA	I820TA2XLT

- Standard Options -

Bs & Axl:	2		RUB 6RE GR E/4"/35004/5
Tir & Wh:	4		ST205/75R15LRC WHITE MOD
Coupler:	1		COUP 2 5/16" 13K A-TM SHELBY
Hitch:	1		STANDARD
Frame:	1		I-BEAM 6" JR.
Floor:	20		PLYWOOD 3/4" (DOUBLE) DOUBLE 3/4" PLYWOOD FLOOR CO 03/28/12
Sidewall:	1		PLYWOOD 3/8"
Caps:	1		CAP - I 100" WHITE
Wraps:	4		030 SM WHITE 16 X 120 BSL
Flares:	1		FLARE ALUM 1" TANDEM
Door 1:	1		DOUBLE DOOR W/CL
Door 2:			
Exterior:	15		030 SM WHITE 49 X 77.5 CO 03/28/12
Dimens 1:	1		WALLS 16" O/C
Dimens 2:	1		FLOOR 16" O/C FLOOR TO BE 16" O/C
Dimens 3:	1		ROOF 24" O/C
Dimens 4:	1		BODY WIDTH 100"
Dimens 5:	20		INTERIOR HEIGHT 6' 8" CO 03/28/12
Misc 1:	1		SIDE DOOR 32" W/CAMLOCK 32" CURBSIDE DOOR AS CLOSE TO FRONT AS POSSIBLE CO 03/28/12
Misc 2:	1		EXCEPTIONAL OPTION USE 4" DOT TRIM ON BOTTOM
Misc 3:	20		INSULATE WALLS (BATT STYLE)
Misc 4:	20		GENPLY 3 MM 48 X 96 WHITE WHITE GEN PLY CEILING
Misc 5:	1		SCREWS TO MATCH 14' TO 20'

- Extra Options -

1 ATP STONE GUARD 24"

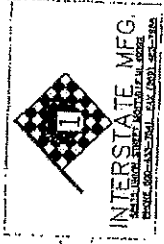
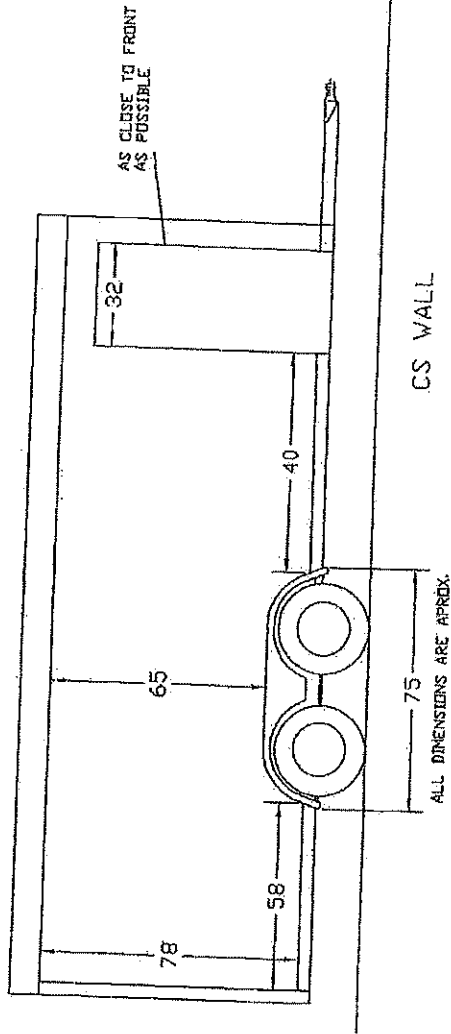
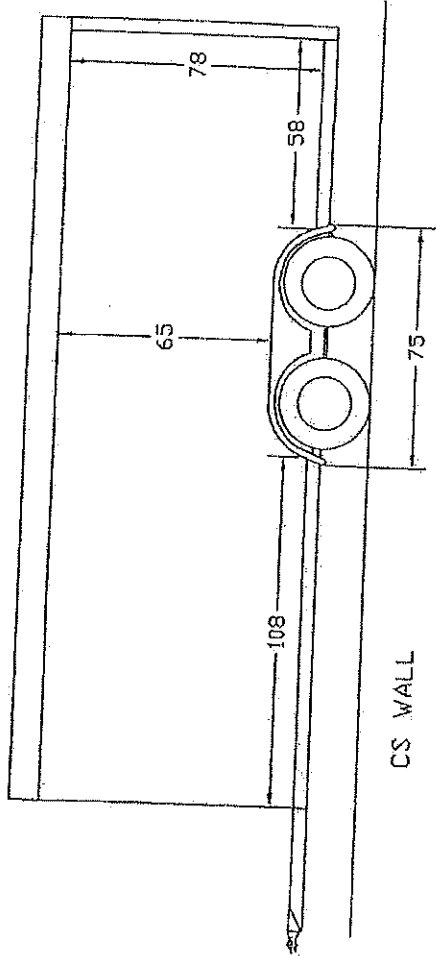
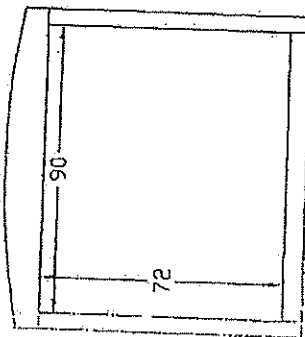
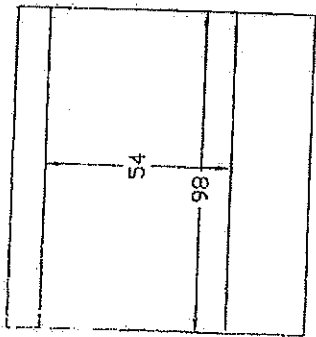
CONTINUED NEXT PAGE

Interstate Mfg. Inc.
 68935 Union Street
 White Pigeon, MI 49099

Work Order	IM075734	Page	2
Vin Number			

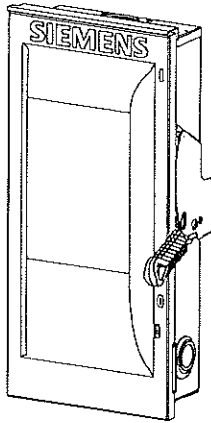
050175
 Bill to: ELDORADO TRAILER SALES LLC Ship to: FLIGHTWAY

Ordered	W/O Date	E/O Number	Ship Via	F.O.B.	Terms	SM
03/27/12	03/27/12		DEALER PU		COD	975
Option	Qty	U/M	Part Number/Description			
	2		JACK FOLD DOWN (EA)			
			FOLD DOWN JACKS ON REAR			
	2		JACKS STABILIZER			
			STABILIZER JACKS ON FRONT			
	1		EXCEPTIONAL OPTION			
			5% SURCHARGE			
	1		EXCEPTIONAL OPTION			
			NO DECALS ON THIS UNIT			
	1		ST205/75R15LRG WHITE MOD			



1820TA2XLT
 XXXXX XXXXX
 MADE IN U.S.A.

ALL DIMENSIONS ARE APPROX.



Heavy Duty Safety Switch

Type VBII, 100 Amp and Oversized 60A, Type 3R (Outdoor)

Standards and Ratings

- UL Listed under file #E4776
- Meets UL98 for switches and UL 50 for enclosures
- Meets NEMA Standard KS-1 for enclosed switches
- Meets NEC wire bending space requirements
- Rated 10,000 AIC with Class H fuses or 200,000 AIC with Class R, T and J fuses
- Rated 10,000 AIC at 600Vdc with Class R or J fuses
- I²t rated (Amps² x Seconds = 500,000)
- 12X overload current rating exceeds 10X industry standard

- Suitable for use as service entrance equipment

Features

- Quick-make and break switching action
- Double break visible blade design
- Highly visible ON/OFF indication
- Rugged installer friendly enclosure design
- Modular design allows quick and easy replacement of parts
- Front removable lugs which can easily be converted to copper body or compression type lugs
- Defeatable dual cover interlock

General Information

Catalog Number	Amps	Volts	Description	Shipping Weight (lbs.)
HF362RL	60	600	3 Pole, 3 Wire, Fusible	25
HNF362RL	60	600	3 Pole, 3 Wire, Non-Fusible	24
HF223NR ¹	100	240	2 Pole, 3 Wire, Fusible	24
HF323NR	100	240	3 Pole, 4 Wire, Fusible	26
HF263R	100	600	2 Pole, 2 Wire, Fusible	27
HF363R	100	600	3 Pole, 3 Wire, Fusible	25
HF363NR	100	600	3 Pole, 4 Wire, Fusible	26
HNF263R	100	600	2 Pole, 2 Wire, Non-Fusible	25
HNF363R	100	600	3 Pole, 3 Wire, Non-Fusible	24

Horsepower Ratings 2 3 - 240 Volts

Catalog Number	1 Phase, 240V AC		3 Phase, 240V AC		250V DC
	Std	Max	Std	Max	
HF223NR	7½	15	15	30	20
HF323NR	7½	15	15	30	20

Horsepower Ratings 2 3 4 - 600 Volts

Catalog Number	3 Phase, 480V AC		3 Phase, 600V AC		600V DC
	Std	Max	Std	Max	
HF362RL	15	30	15	50	30 ⁵
HNF362RL	—	50	—	60	30 ⁵
HF263R	—	6	—	6	50
HF363R	25	60	30	75	30 ⁵
HF363NR	25	60	30	75	30 ⁵
HNF263R	—	6	—	6	50
HNF363R ⁷	—	75	—	100	30 ⁵

Mechanical Lug Wire Ranges (60/75°C, Cu/Al)

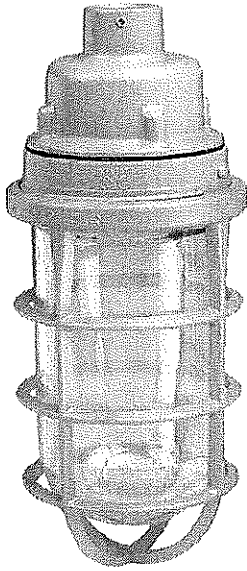
Description	Wire Range
Line, Load	#12-1/0 (Al) AWG or
Neutral	#14-1/0 (Cu) AWG
Ground	#14-4 AWG

- 1 These switches are UL Listed for application on grounded 8 phase systems.
- 2 Dual horsepower ratings: Std - applies when non-time delay fuses are installed. Max applies when time-delay fuses are installed.
- 3 Horsepower ratings listed also apply to Design E motors with no derating.
- 4 100A switches also rated 20HP at 250V DC.
- 5 600V DC & 600V DC HP ratings require 2 poles to be connected in series.
- 6 100A switches also rated 30HP at 480V and 40HP at 600V, 1 phase.
- 7 100A switches also rated 40HP on 3phase, 240V AC systems.


Product Specification Sheet HD100.3


Answers for industry.

SIEMENS



Enclosed & Gasketed[®]

 Listed - File E10514

 Certified - File LR11713

**V SERIES
 ENCLOSED & GASKETED**
 Applications


- Locations requiring durable, protected lighting fixtures
- Wet and dirt laden locations, such as industrial environments requiring enclosed and gasketed (vaportight) fixtures
- Lighting walkways, tunnels, loading docks, exits, stairwells, etc
- Fixtures intended for base-up mounting
- Heat resistant glass globes recommended for wet locations

Features

- ✓ Electrostatically applied epoxy/polyester finish
- ✓ Enclosed and gasketed fixture (vapor-tight). Joint gaskets provided to seal out moisture and dirt
- ✓ Splice box selections include pendant, ceiling, bracket and stanchion mounting types
- ✓ Modular design permits selection of splice box, fixture body, globe, guard and reflector for specific or custom applications
- ✓ Hubs are threaded for attachment to conduit and set screws are provided in pendant fixtures
- ✓ Copper-free aluminum (less than 4/10 of 1%) construction with electrostatically applied epoxy/polyester finish resists corrosion




Class I, Div. 2, Groups A,B,C,D
 Class I, Zone 2, Groups IIC, IIB, IIA
 NEMA 3, 4 - When used with tempered glass

 Listed - File E10514

UL-1571 Standard for incandescent fixtures

UL-844 Standard for hazardous location fixtures

 Certified - File LR11713



CEILING FIXTURE WITH VGX SPLICE BOX							
FITTURE TYPE	LAMP WATT	HUB SIZE	CATALOG NUMBER	CONSISTS OF			
			FIXTURE W/ GLOBE & GUARD	MOUNTING BOX	FIXTURE BODY	CLEAR GLOBE*	GUARD
100	150	1/2"	VUXGG-1-100PX ⊕	VGX-1	VXFC-100 N34	VCGP-100	VAG-100
		3/4"	VUXGG-2-100PX ⊕	VGX-2	VXFC-100 N34	VCGP-100	VAG-100
200	300	1/2"	VUXGG-1-200PX ⊕	VGX-1	VXFC-200 N34	VCGP-200	VAG-200
		3/4"	VUXGG-2-200PX ⊕	VGX-2	VXFC-200 N34	VCGP-200	VAG-200

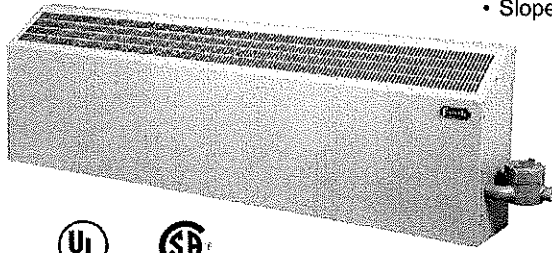


KILLARK

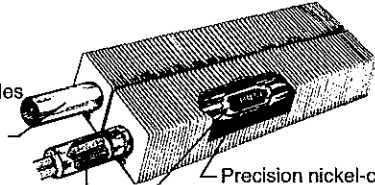
HAZARDOUS LOCATION CONVECTION HEATER

- Cabinet size 18" high, 9" wide
- Color beige powder coat textured finish
- Heavy duty 16 Ga. Steel
- Fully assembled unit
- Slope Top Design

Element assembly pressure tested to 100 pounds per square inch to protect against air leakage into element.



Corrosion-Resistant Sheath provides resistance to oxidation, corrosion, plus a broad range of chemicals and atmospheres.



Lead Arrangement. Solid nickel pins overlap the resistance windings inside the core. Pins are permanently connected during the swaging operation for trouble-free electrical continuity.

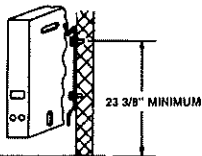
Precision nickel-chromium windings centered in the unit for even, efficient heat. Efficient dielectric compacted to a predetermined density results in good heat transfer, and strength to withstand normal shock and vibration.



NEMA 4
Hose Down
Rated

ALL T-2A Models
normal stock
items, contact
Factory for lead-
time on all T-3A
Models

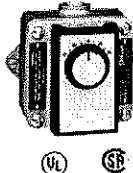
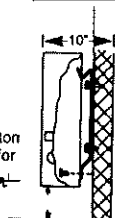
**Wall Mounting
Brackets**
(standard with Heater)



Hazardous Location Heater is easily installed by one person.

Junction box extends 5-1/2" from the right end of the housing

A 9 inch minimum space from bottom of heater to the floor is required for ample air flow.



WARNING: Do not operate heaters in ambient temperatures exceeding 40°C (104°F).

HAZARDOUS LOCATION THERMOSTAT - REMOTE MOUNTED

UPC	MODEL	DESCRIPTION	WT.
686334			
538107	EPETD8S	50 - 90 °F 24-277 VOLT SPST	5 lbs.
835077	EPETD8D	50 - 90 °F 24-277 VOLT DPST	5 lbs.

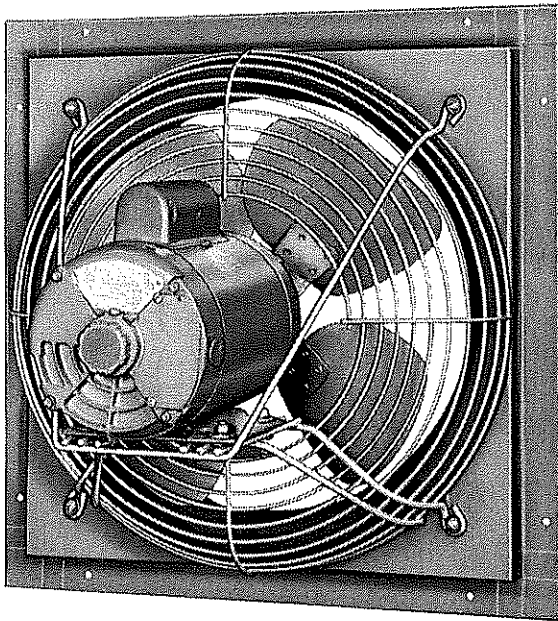
LISTINGS	UPC 686334	MODEL	WATTS	BTU	VOLTS	AMPS	CABINET LENGTH	NO.OF ELEMENTS	MAX FUSE SIZE	WT.				
CLASS 1, GROUP B, C & D DIVISION 1 & 2 (T-2A) 280° C / 536° F UL LISTED & CSA NRTL/C CERTIFIED	655002	FEP-1812-1RA	1800	6143	120	15.0	34"	1	20	50 lbs.				
	655019	FEP-1820-1RA			208	8.7			10					
	655026	FEP-1824-1RA			240	7.5			10					
	655033	FEP-1827-1RA			277	6.5			10					
	655040	FEP-1848-1RA			480	3.8			5					
	655057	FEP-3620-1RA	3600	12286	208	17.3	34"	2	20	54 lbs.				
	655064	FEP-3624-1RA			240	15.0			20					
	655071	FEP-3627-1RA			277	13.0			15					
	655088	FEP-3648-1RA			480	7.5			10					
	655170	FEP-3657-1RA			600	6.0			10					
	655095	FEP-3820-1RA	3800	12969	208	18.3	58"	1	20	80 lbs.				
	655101	FEP-3824-1RA			240	15.8			20					
	655118	FEP-38271-RA			277	13.7			15					
	655125	FEP-3848-1RA			480	7.9			10					
	655132	FEP-7620-1RA			208	36.5			40					
655149	FEP-7624-1RA	240	31.7	35										
655156	FEP-7627-1RA	7600	25938	277	27.4	58"	2	30	85 lbs.					
655163	FEP-7648-1RA			480	15.8			20						
655187	FEP-7657-1RA			600	12.7			15						
655194	FEP-0812-1RA			800	2730			120		6.7	34"	1	10	50 lbs.
655200	FEP-0820-1RA							208		3.8			5	
655217	FEP-0824-1RA	240	3.3			5								
655224	FEP-0827-1RA	277	2.9			5								
655231	FEP-0848-1RA	480	1.7			5								
655248	FEP-1612-1RA	1600	5460	120	13.3	34"	2	15	54 lbs.					
655255	FEP-1620-1RA			208	7.7			10						
655262	FEP-1624-1RA			240	6.7			10						
655279	FEP-1627-1RA			277	5.8			10						
655286	FEP-1648-1RA			480	3.3			5						
655385	FEP-1657-1RA	600	2.7	5										
655293	FEP-1712-1RA	1700	5802	120	14.2	58"	1	20	80 lbs.					
655309	FEP-1720-1RA			208	8.2			10						
655316	FEP-1724-1RA			240	7.1			10						
655323	FEP-1727-1RA			277	6.1			10						
655330	FEP-1748-1RA			480	3.5			5						
655347	FEP-3420-1RA	3400	11604	208	16.3	58"	2	20	85 lbs.					
655354	FEP-3424-1RA			240	14.2			20						
655361	FEP-3427-1RA			277	12.3			15						
655378	FEP-3448-1RA			480	7.1			10						
655392	FEP-3457-1RA			600	5.7			10						



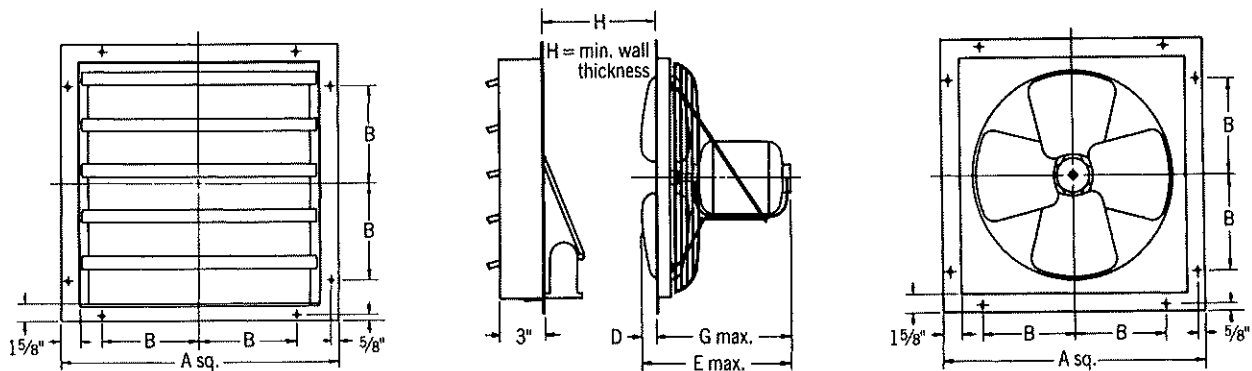
DIRECT-DRIVE PROPELLER FANS

MODEL N

EXHAUST or SUPPLY



- Eight wheel diameters—8" through 24".
- 250 to 6400 CFM—up to 1/2" static pressure.
- Panels—square steel construction with streamlined venturi inlet...venturi is reversed in supply-fan panels...baked-green enamel finish.
- Wheels—aluminum blades with steel hubs.
- Motor mounts—wire-guard-type motor mount [see photo at left] is standard on all Model N units...guard is zinc-plated steel.
- Motors—standard motors are totally enclosed air over with pre-lubricated ball bearings except 1/12 and 1/20 HP motors, which are shaded-pole totally enclosed permanently lubricated sleeve-bearing type. Motors 1/4 HP and larger are suitable for either horizontal or vertical service...specify "for vertical mounting" to have wheel locked to motor shaft...1/20 and 1/12 HP motors are not suitable for vertical service.



SPECIFICATIONS DIMENSIONS IN INCHES.

Application	Model	Wheel diameter	A	B	D	E†	G†	H minimum		Mounting hole no. and diameter		Weight* (lbs.)
								Auto-matic	Motor-operated	Fan	Shutter	
EXHAUST	EN82-	8	13 1/4	3		10 1/4	10 1/4	1 5/8	4 1/2	8 - 5/16	8 - 9/32	25
	EN102-	10	15 1/4	4	1/4	10 3/8	10 1/8	1 5/8	4 3/4	8 - 5/16	8 - 9/32	29
	EN122-	12	17 1/4	5	7/8	11 1/2	10 3/4	2	5 3/8	8 - 5/16	8 - 9/32	35
	EN142-	14	20 1/4	6 1/2	5/8	11 1/4	10 5/8	2	5 1/8	8 - 5/16	8 - 9/32	40
	EN162-	16	23 1/4	8	1	12	11	2	5 1/2	8 - 5/16	8 - 9/32	50
	EN182-	18	24 1/4	8 1/2	5/8	11 1/2	10 7/8	2	5 1/8	8 - 5/16	8 - 9/32	65
	EN202-	20	27 1/4	10	7/8	12 7/8	12	2	5 3/8	8 - 5/16	8 - 9/32	80
	EN242-	24	30 1/4	11 1/2	1	13 3/8	12 3/8	2	5 1/2	8 - 5/16	8 - 9/32	95
SUPPLY	SN82-	8	13 1/4	3		10 1/4	10 1/4	Auto-matic shutter not available	9 1/2	8 - 5/16	8 - 9/32	25
	SN102-	10	15 1/4	4		10 1/4	10 1/4		9 1/2	8 - 5/16	8 - 9/32	29
	SN122-	12	17 1/4	5		11	11		9 1/2	8 - 5/16	8 - 9/32	35
	SN142-	14	20 1/4	6 1/2		11 5/8	11 5/8		9 1/2	8 - 5/16	8 - 9/32	40
	SN162-	16	23 1/4	8	1/8	11 1/4	11 1/8		9 1/2	8 - 5/16	8 - 9/32	50
	SN182-	18	24 1/4	8 1/2		12	12		9 1/2	8 - 5/16	8 - 9/32	65
	SN202-	20	27 1/4	10		12 1/2	12 1/2		9 1/2	8 - 5/16	8 - 9/32	80
	SN242-	24	30 1/4	11 1/2	1/4	12 1/2	12 1/4		9 1/2	8 - 5/16	8 - 9/32	95

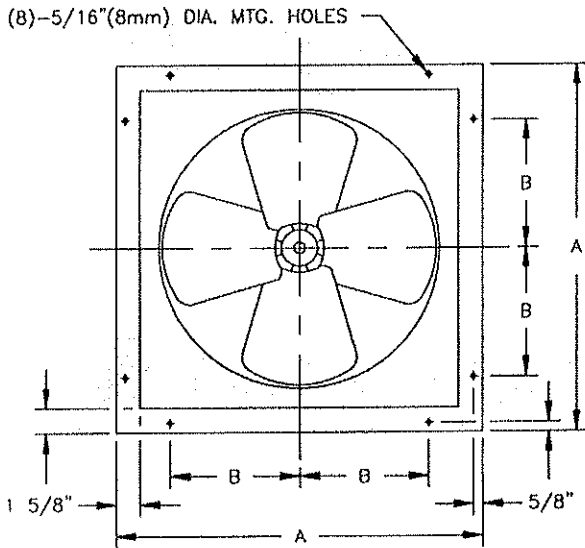
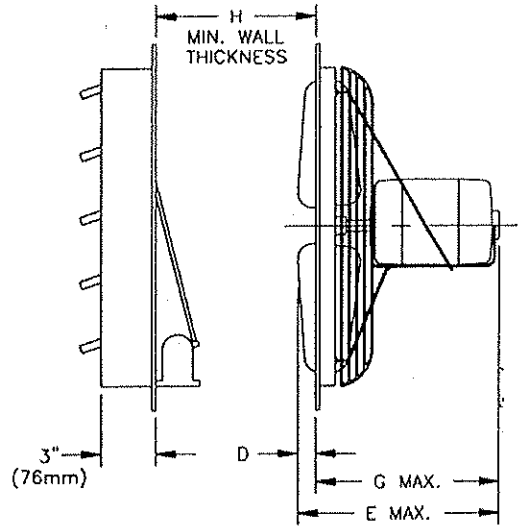
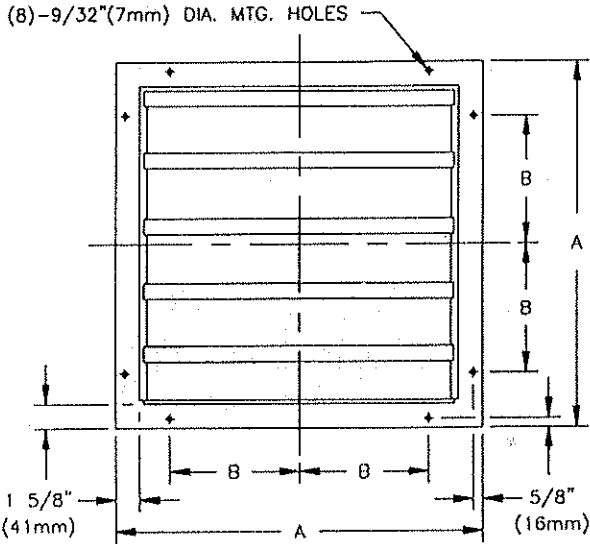
† E and G based on longest motor used for each size fan. * Shipping weights shown are maximum and include totally enclosed motors and weight of packaging.

NOTE: Exhaust units are available with either automatic or motorized shutters. Supply units require motorized supply shutter.

When ordering, specify complete model number as shown on page 3.

Dimensions not to be used for construction unless certified.

Tolerance: ± 1/8"



EXHAUST UNITS ARE AVAILABLE WITH EITHER AUTOMATIC OR MOTORIZED SHUTTERS; SUPPLY UNITS REQUIRE MOTORIZED SUPPLY SHUTTER.

2-SPEED AND 3-SPEED INCLUDE SWITCH FOR CHANGING SPEED.

MOTORIZED SHUTTERS AVAILABLE FOR 115v. OR 230v. OPERATION. FOR 460v. OPERATION, A TRANSFORMER IS REQUIRED.

TOLERANCE: $\pm 1/8"$ ($\pm 3\text{mm}$)

ITEM	DIMENSIONS	
	in	mm
A	17 1/4	438
B	5	127
D	7/8	22
E	11 1/2	292
G	10 3/4	-
H (automatic)	2	-
H (motorized)	5 3/8	-

nyb The
New York Blower
Company

7660 Quincy Street, Willowbrook, IL 60521

Propeller Fan Model N Supply

SIZE: 12

Date 12-05-02 Certified SAE

Drawing No. X02886-105-2 Rev.