

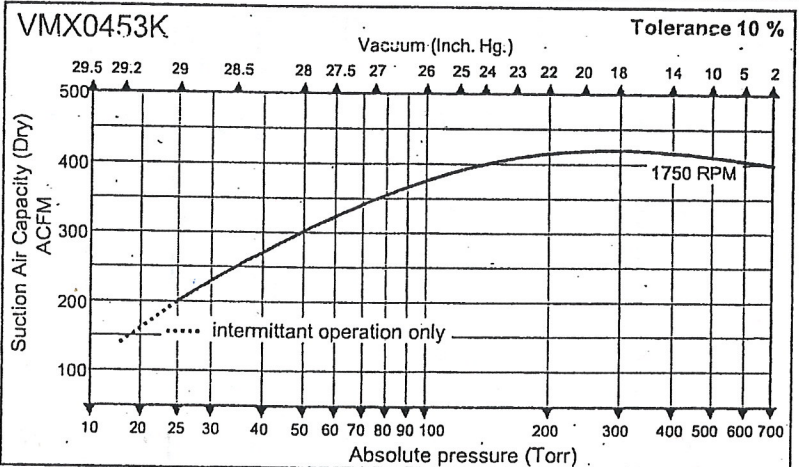
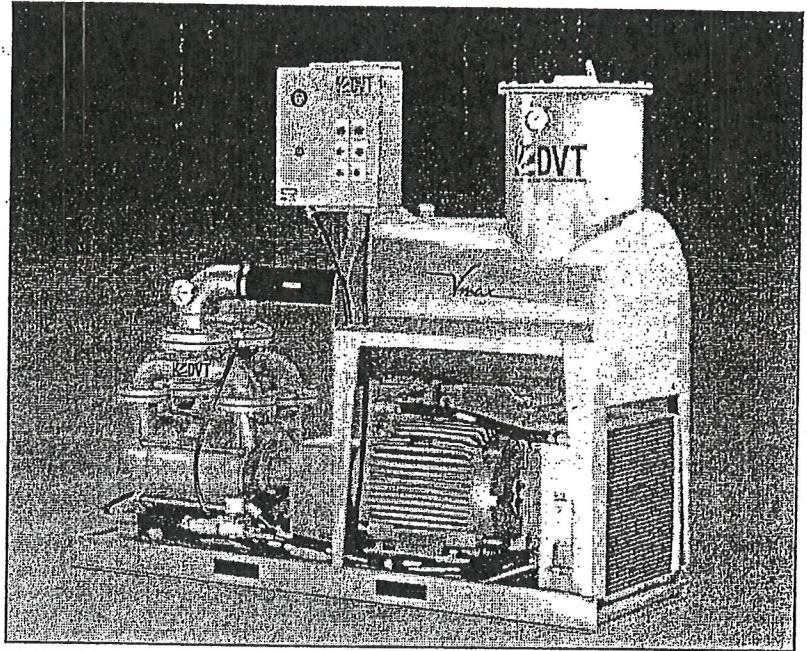
DEKKER VACUUM TECHNOLOGIES, INC.

11. VMAX SYSTEMS

Vmax oil-sealed vacuum pump system
VMX0453K

Why more and more customers are switching to the *Vmax* system:

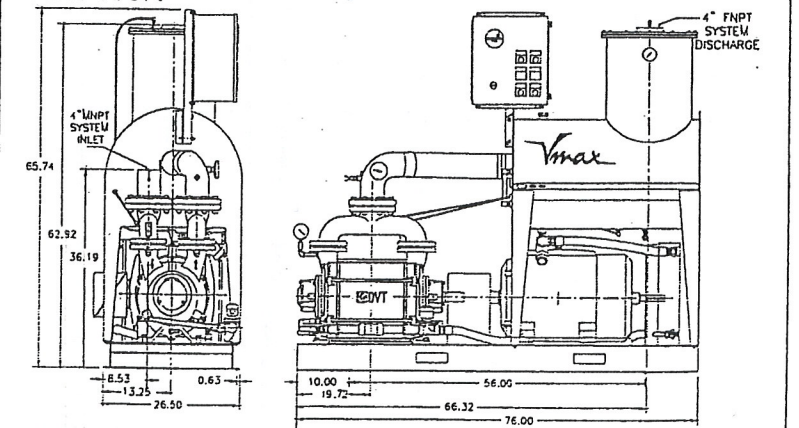
- ✓ The only system on the market with a full 3-year warranty!
- ✓ Patented, high-efficiency DX-5 separator eliminates oil carry-over concerns.
- ✓ Rugged, high-quality, industrial system, offering years of trouble free operation.
- ✓ Extended-life seal-fluid is not used as a lubricant. Change interval is not critical, resulting in a minimum of 10,000 hours of continuous operation.
- ✓ Direct drive at low speed (1750RPM) eliminates the use of V-belts, resulting in very low maintenance and zero downtime.
- ✓ Extremely low operating noise level makes this system desirable in today's workplace.
- ✓ Continuous operation over the full vacuum range without overheating.
- ✓ Carry-over of soft solids and/or minimal amounts of liquid does not cause damage to the internal parts of the pump.
- ✓ Electrical control panel is standard.
- ✓ Air-cooled design is standard with water-cooling available at no extra charge.



Performance Characteristics

Nominal capacity:	450CFM
Motor:	25HP
Speed:	1750RPM
Maximum vacuum:	29"Hg
Weight (approximate):	1750lbs
Maximum gas inlet temperature:	212°F/100°C
Maximum noise level (at 3 feet):	78dBA
Oil capacity (approximate):	17 GAL
<i>Performance based on atmospheric pressure equal to 29.92"Hg</i>	

VMX0453K

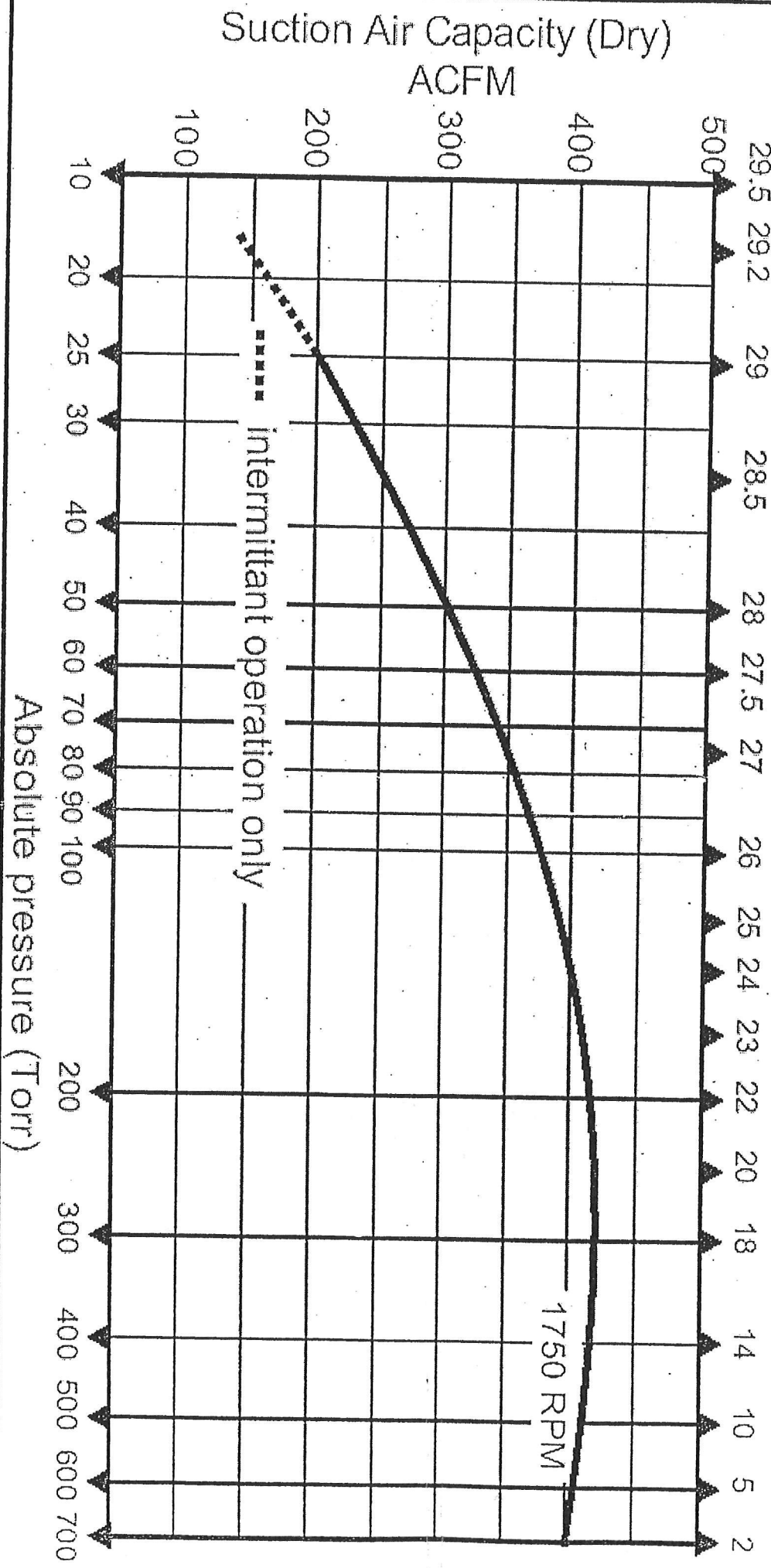


Information contained in this document is for reference only. Subject to change without notice.

VMX0453K

Vacuum (Inch. Hg.)

Tolerance 10 %



VMX0453K

