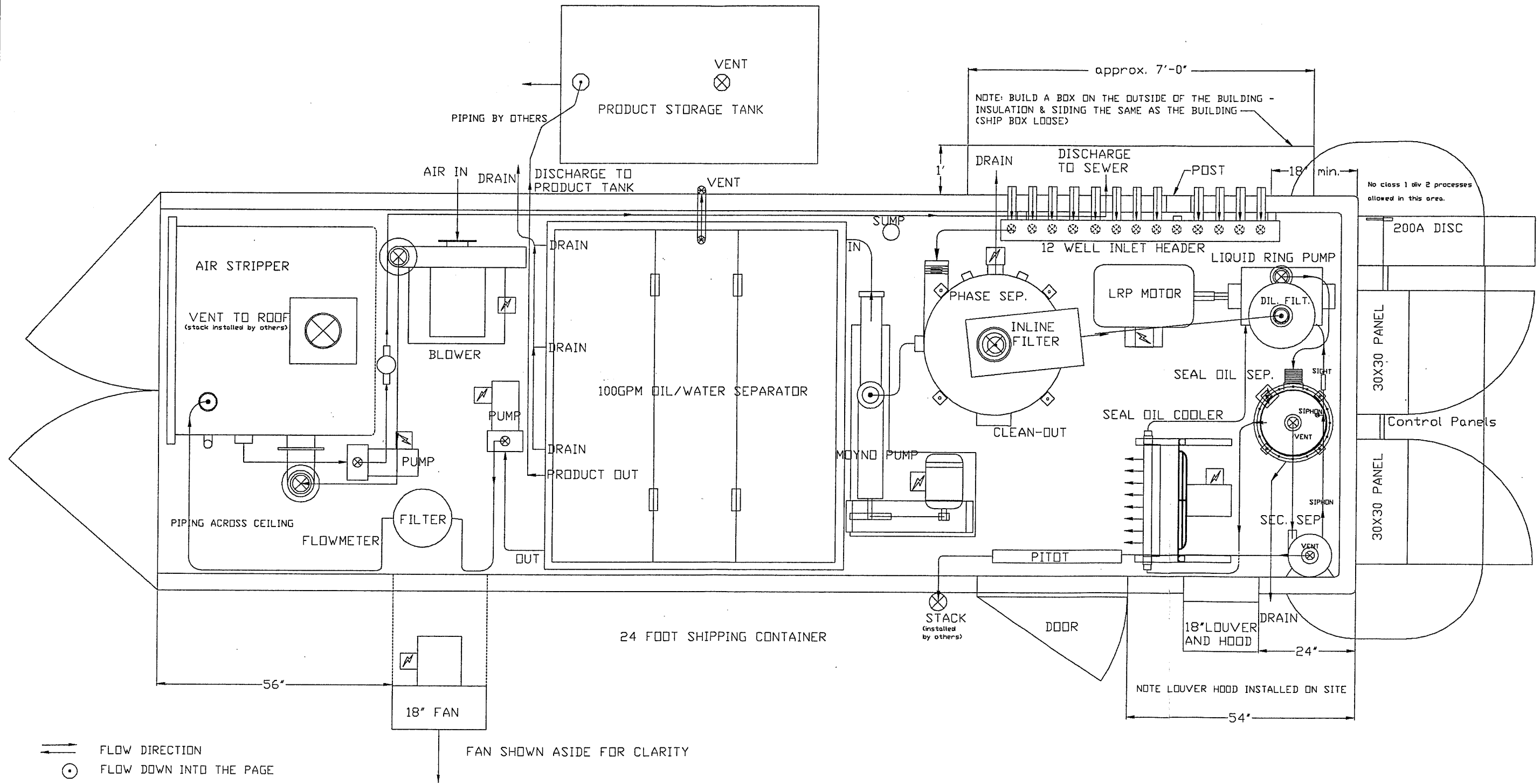
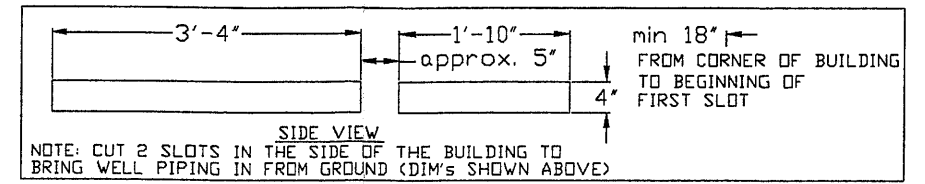
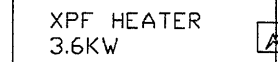


PACKING LIST

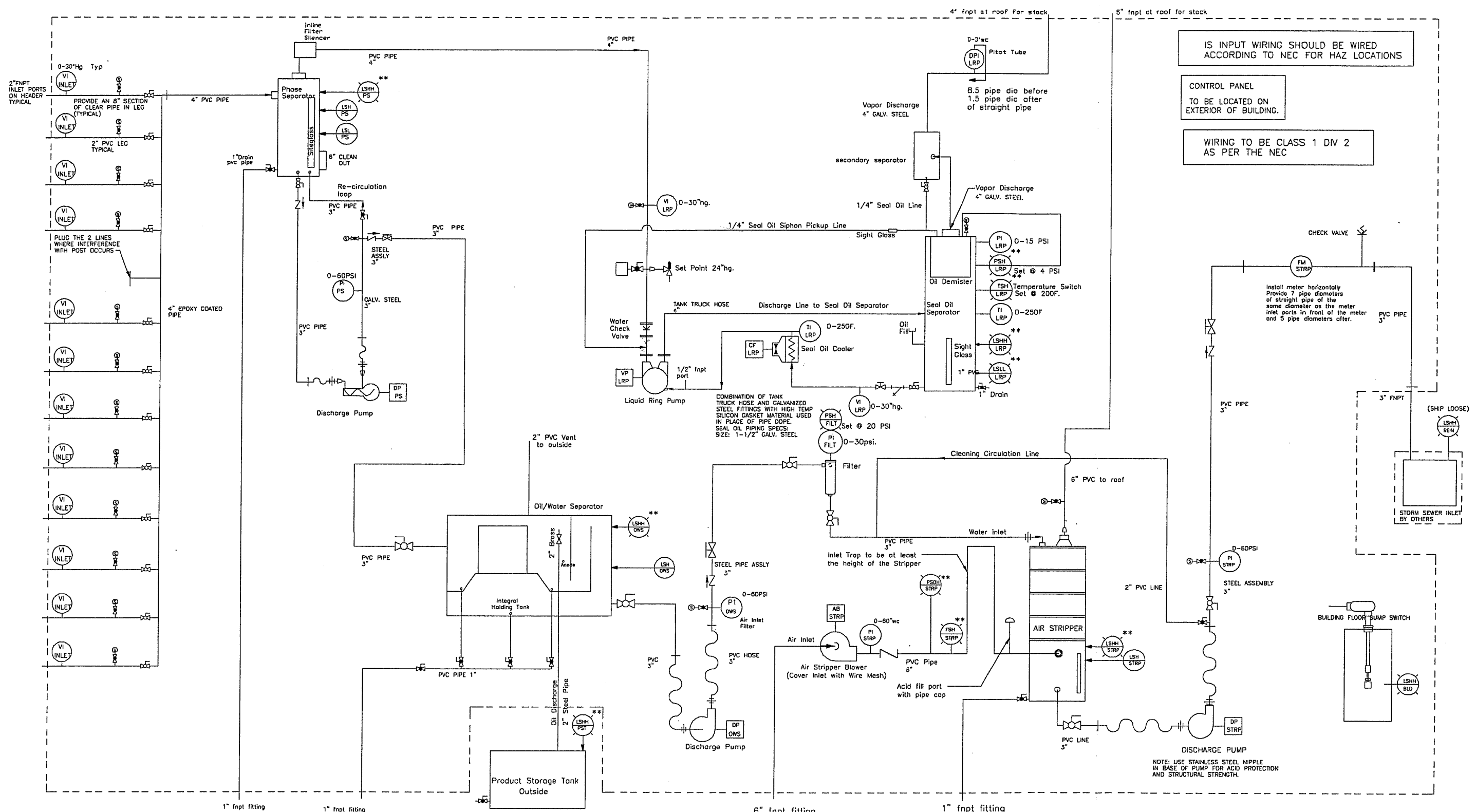
DESCRIPTION	DIM (LXWXH)	WEIGHT
REMEDIATION SYSTEM	24x8x8	25000 LBS
BOX OF EXTRAS	36X36X36	100 LBS
PRODUCT STORAGE TANK	38"dia.x62"long	462 LBS
INSULATED INLET BOX	1' x 7' x ?	100 LBS

HEATER SHOWN ASIDE FOR CLARITY  
MOUNT ON WALL  
BELOW HEADER



- FLOW DIRECTION
- ⊙ FLOW DOWN INTO THE PAGE
- ⊗ FLOW OUT OF THE PAGE
- ⚡ ELECTRICAL CONNECTION
- SPACE ALLOCATED FOR SERVICING

MAPLE LEAF ENVIRONMENTAL EQUIPMENT LTD.				TITLE: System Layout Building Layout	
LEVEL	DATE	BY	REVISION	DATE	APPROVED
C	NOV. 13.02	JK	AS BUILT		
B	SEPT 30.02	JK	FOR PRODUCTION		
A	SEPT 9.02	PKK	FOR APPROVAL		



IS INPUT WIRING SHOULD BE WIRED ACCORDING TO NEC FOR HAZ LOCATIONS

CONTROL PANEL TO BE LOCATED ON EXTERIOR OF BUILDING.

WIRING TO BE CLASS 1 DIV 2 AS PER THE NEC

INSTALL METER HORIZONTALLY PROVIDE 7 PIPE DIAMETERS OF STRAIGHT PIPE OF THE SAME DIAMETER AS THE METER INLET PORTS IN FRONT OF THE METER AND 5 PIPE DIAMETERS AFTER.

STORM SEWER INLET BY OTHERS

NOTE: USE STAINLESS STEEL NIPPLE IN BASE OF PUMP FOR ACID PROTECTION AND STRUCTURAL STRENGTH.

**P&ID DESCRIPTION LEGEND**

FIRST LETTER	SECOND LETTER	REMAINING LETTERS
ACTUATED VALVE NORMALLY CLOSED	GLOBE VALVE	CENTRIFUGAL PUMP
SOLENOID VALVE NORMALLY OPEN	SWING CHECK VALVE	GEAR PUMP
GATE VALVE NORMALLY OPEN	SPRING CHECK VALVE	PROGRESSIVE DENSITY PUMP
GATE VALVE NORMALLY CLOSED	SAMPLE PORT	CENTRIFUGAL BLOWER
BALL VALVE NORMALLY OPEN	FILTER/STRAINER	POSITIVE DISPLACEMENT BLOWER
BALL VALVE NORMALLY CLOSED	UNION	ROTARY VANE COMPRESSOR
VACUUM RELIEF VALVE	REDUCER	COMPANION FLANGE
BUTTERFLY VALVE	FLANGED	PRESSURE REGULATOR
PRESSURE RELIEF VALVE	ORF FITTING	PIPING TRANSITION
FLEXIBLE CONNECTION	CONTROL /ALARM	
** To System Power Shut Down	CONTROL DIGITAL SIGNAL	
	INDICATOR	
	ANALOG SIGNAL	
	OUTPUT CONTROLLED DEVICE	

Note: Details on various equipment is found in the component section of your manual. The last section of the description indicates the relevant module in the manual. For example TSH-LRP is the high temperature switch in the liquid ring pump module of the manual.

PIPING DETAILS MATERIALS OF VALVES AND FITTINGS TO BE THE SAME AS THE DESCRIPTION AT THE LINE. IF THERE IS A TRANSITION FROM PVC TO STEEL THEN THE VALVE SHOULD BE A BRASS VALVE. THERE ARE NO SPECIAL PIPING REQUIREMENTS OTHER THAN WHAT IS EXPLAINED ON THE DIAGRAM BELOW WHEN PVC HOSE IS SPECIFIED ALWAYS USE CL110 VACUUM HOSE. NOTE: PVC PIPE MAY BE SUBSTITUTED WITH EQUAL SIZED PVC HOSE WHERE A FLEXIBLE CONNECTION IS PREFERRED

MAPLE LEAF ENVIRONMENTAL EQUIPMENT LTD.			
Process Flow & Instrumentation			
REV	DATE	BY	DESCRIPTION
C	NOV. 13.02	JK	AS BUILT
B	SEPT 24.02	JK	FOR PRODUCTION
A	02-09-05	PK	FOR APPROVAL

CUSTOMER	
CONVENIENCE PLUS	TERRACON