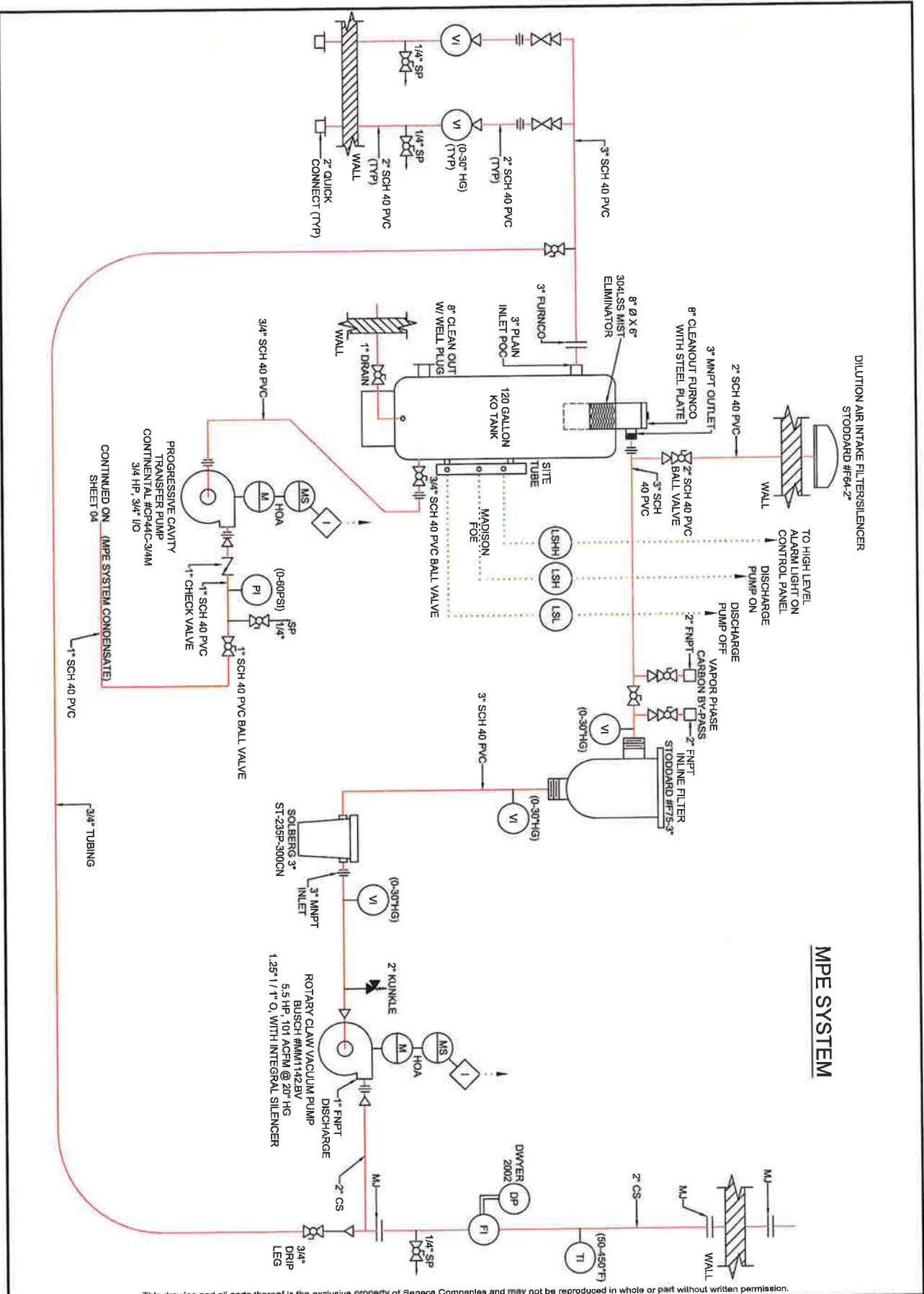


- NOTES:**
1. PIPE SUPPORTS TO BE INSTALLED AS REQUIRED.
  2. REFER TO PROCESS AND INSTRUMENTATION DIAGRAM FOR PIPING DETAIL, VALVES, SAMPLE PORTS, ETC.) AND SEQUENCE OF OPERATION.

This drawing and all parts thereof is the exclusive property of Seneca Companies and may not be reproduced in whole or part without written permission.

SENECAS 110887003 PROJECT MANAGER DARRICK WORBALL PROJECT MANAGER COREY HANWORTH 1/2" x 1" 03/27/2010 03/27/2010 03/27/2010 06	HWS - FORMER KUM & GO #341 4336 NORTH 70TH STREET LINCOLN, NEBRASKA	<p><b>Seneca Companies</b> The Complete Solution</p>		07/17/2010 03/06/2010	06 07 08 09 10 11 12 13 14 15 16 17 18 19 20 21 22 23 24 25 26 27 28 29 30 31 32 33 34 35 36 37 38 39 40 41 42 43 44 45 46 47 48 49 50
	EQUIPMENT LAYOUT			06	



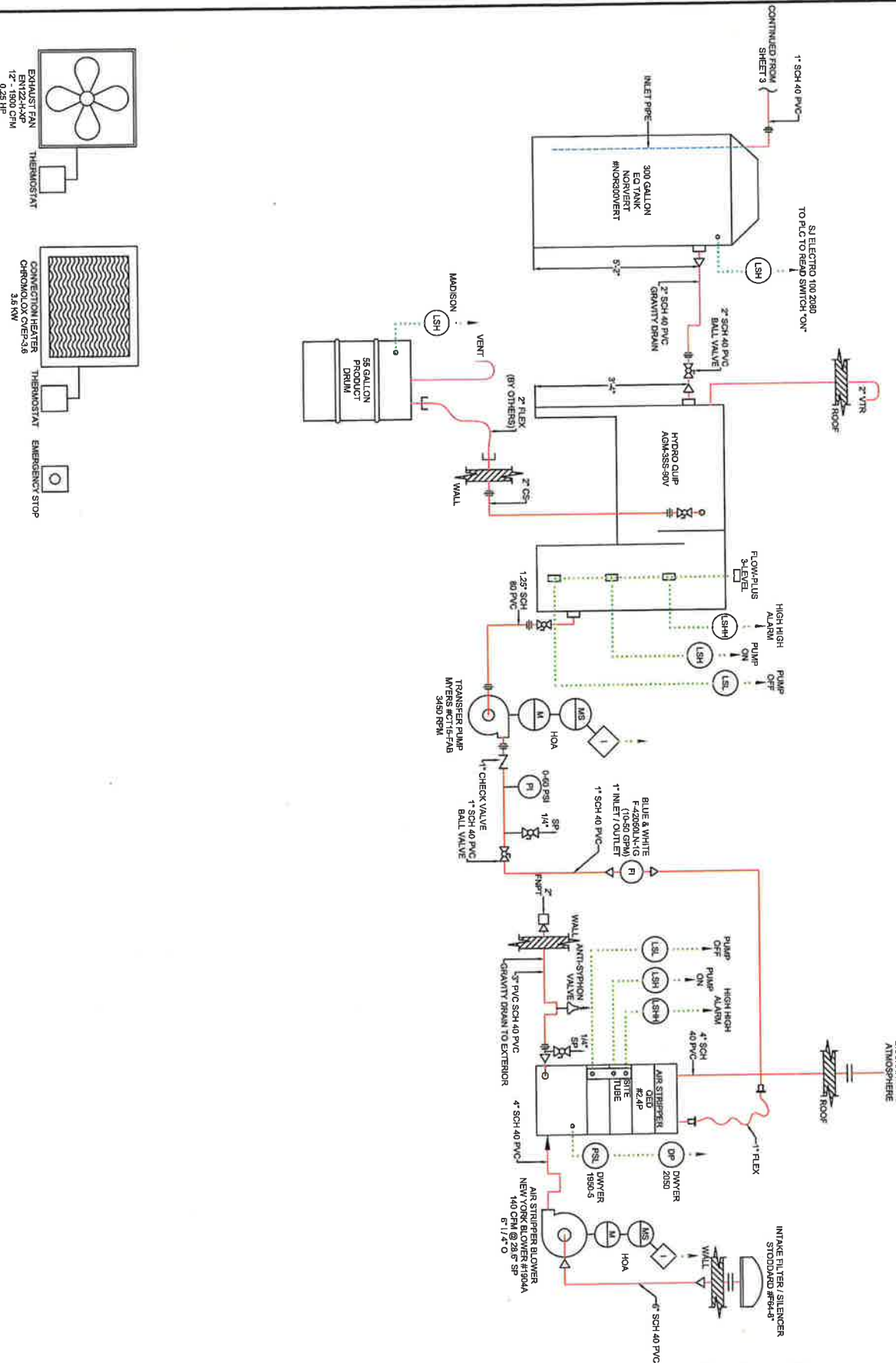
DILUTION AIR INTAKE FILTER/SILENCER  
STODDARD #F64-2"

## MPE SYSTEM

This drawing and all parts thereof is the exclusive property of Seneca Companies and may not be reproduced in whole or part without written permission.

 <b>Seneca Companies</b> The Complete Solution		
PROJECT NO. DWG NO. DATE DWG	<b>Seneca Companies</b> 4336 NORTH 17TH STREET LINCOLN, NEBRASKA	SHEET NO. OF DATE
PROJECT TITLE <b>PROCESS AND INSTRUMENTATION DIAGRAM</b>	SCALE NO SCALE	DRAWN BY CHECKED BY REVISIONS

# WATER TREATMENT SYSTEM



This drawing and all parts thereof is the exclusive property of Seneca Companies and may not be reproduced in whole or part without written permission.

 <p style="text-align: center;"><b>Seneca Companies</b> The Complete Solution</p>	<p>HW5 - FORMER KUM &amp; CO #341 4335 NORTH 70TH STREET LINCOLN, NEBRASKA</p>	<p>DATE: 11/09/2008 DRAWN BY: DAWBROCK/WERBALL CHECKED BY: CONTI/HADWINNER SCALE: NO SCALE PROJECT: 0355705504 SHEET: 03567105</p>	<p>PROCESS AND INSTRUMENTATION DIAGRAM</p>
---	--	--	--

**PLAN NOTES:**

NOTE	DESCRIPTION	MANUFACTURER	MODEL NO.	VOLTAGE	PHASE	POWER	NOTES
1	120 GALLON KNOCKOUT TANK	SENECA	92-24-200-120				
2	SIGHT GLASS	SENECA					
3	8-INCH CLEANOUT	SENECA					
4	PROGRESSIVE CAVITY PUMP	CONTINENTAL	CP-44C-3/4M	230/460V	3	0.75 HP	20 GPM @ 20" HG
5	EQUALIZATION TANK	NORVERT	NOR300VERT				
6	PRODUCT DRUM	WELMAC	55 GALLON				
7	OIL / WATER SEPARATOR	HYDROQUIP	AGM-3SS-90V				0-25 GPM
8	TRANSFER PUMP	MYERS	CT15FAB	230/460V	3	1.5 HP	TEFC, 3450 RPM
9	AIR STRIPPER	QED	2-4P				25 GPM
10	AIR STRIPPER BLOWER	NYB	1904A	230/460V	3	3.0 HP	300 CFM @ 22.3" SP
11	INLET SILENCER	STODDARD	FB48				REPLACEMENT ELEMENT FB-111
12	ROTARY CLAW VACUUM BLOWER	BUSCH	MM 1142 BV	230/460 V	3	5.5 HP	101 ACFM @ 20" HG
13	INLINE FILTER	STODDARD	F75-3				REPLACEMENT ELEMENT FB-160
14	LIGHT SWITCH	KILLARK					
15	THERMOSTAT	COLUMBUS ELECTRIC	EP-FTD-8D				
16	EMERGENCY STOP	APPLETON	EKBUM1				
17	LIGHT	KILLARK					
18	EXHAUST FAN	NEW YORK BLOWER	EN-122H	230/460 V	1	0.25 HP	1900 CFM, EXPLOSION-PROOF
19	PASSIVE VENT						
20	HEATER	CHROMALOX	CVEP-3.6	230V	3	3.6 KW	EXPLOSION-PROOF
21	CONTROL PANEL W/ PLC	SENECA	CUSTOM	230V	3		
22	MAIN DISCONNECT	SENECA	CUSTOM	208V	3		

This drawing and all parts thereof is the exclusive property of Seneca Companies and may not be reproduced in whole or part without written permission.

<p>DATE: 11/02/2009</p> <p>DRAWN BY: DANIECK WOODALL</p> <p>CHECKED BY: COREY MADWIKER</p> <p>SCALE: NO SCALE</p> <p>PROJECT NO: 8580795505</p> <p>CLIENT: HHS/STO</p> <p>SHEET NO: 05</p>	<p>PROJECT DESCRIPTION:</p> <p>HHS - FORMER KUM &amp; GO #341 4335 NORTH 70TH STREET LINCOLN, NEBRASKA</p> <p>DRAWING TITLE:</p> <p>PLAN NOTES</p>	 <p><b>Seneca Companies</b></p> <p>The Complete Solution</p>		<p>REVISIONS:</p> <table border="1"> <tr> <th>NO.</th> <th>DATE</th> <th>BY</th> <th>DESCRIPTION</th> </tr> <tr> <td> </td> <td> </td> <td> </td> <td> </td> </tr> <tr> <td> </td> <td> </td> <td> </td> <td> </td> </tr> <tr> <td> </td> <td> </td> <td> </td> <td> </td> </tr> </table>	NO.	DATE	BY	DESCRIPTION												
NO.	DATE	BY	DESCRIPTION																	