

***EPG Companies Inc.***

---

**Operations & Maintenance  
Manual**

**FOR**

**RDG Geoscience &  
Engineering, Inc.**

**Riteway  
Greenwood, NE**

**EPG Job #06-7891**

# ***EPG Companies Inc.***

---

## **Operations and Maintenance Index**

**RDG Geoscience & Engineering, Inc. – Riteway – Greenwood, NE**

**EPG Job # 06-7891**

Bulletin	1055	List of Equipment
Drawings	07666-0250	Series R775 Controller Schematics
Photo	A	Front Panel Layout
Photo	B	Inner Door Layout
Photo	C	Back of Inner Door Layout
Photo	D	Back Panel Layout
Bulletin	0200c	Limited Warranty

# ***EPG Companies Inc.***

---

## **List of Equipment**

**RDG Geoscience & Engineering, Inc. – Riteway – Greenwood, NE**

**EPG Job # 06-7891**

- 1 each DTA-140-10  
Air Sparge Compressor, ~80 CFM at 6 PSI, Rietschle DTA-140 oilless rotary vane compressor, with 10 HP, 208 V, 3PH, explosion-proof (XP) motor.
- 1 each 289H-42  
Pressure Relief Valve, 4-15 PSI, 1", aluminum.
- 7 each P821  
Pressure Gauge, 0-15 PSI, 1/4" MNPT, bottom mount, liquid-filled, premium quality, stainless steel.
- 1 each 321X-05T5  
Flow Meter, 12-120 SCFM, 1.25" MNPT ends, Erdco 3200 Series, aluminum, specify flow direction.
- 7 each 321X-04T0  
Flow Meter, 2-20 SCFM, 1" FNPT ends, Erdco 3200 Series, aluminum, specify flow direction.
- 1 each 038629  
Vapor Extraction Blower, ~500 CFM at 40" W.C. vacuum, Rotron EN909 regenerative blower, 15 HP, 208 V, 3PH, XP motor, 4" FNPT inlet and outlet.
- 1 each L21-4  
Discharge Silencer, 4" MNPT ends, Stoddard.
- 1 each 289H-41  
Vacuum Relief Valve, 1-4.5 PSI, 1", aluminum.
- 7 each P304V  
Vacuum Gauge, 0-100" W.C., 1/4" MNPT bottom mount, premium quality, steel.
- 1 each 550609  
Flow Meter, 120-600 SCFM, 4", Rotron FM40C600Q, aluminum.

## ***EPG Companies Inc.***

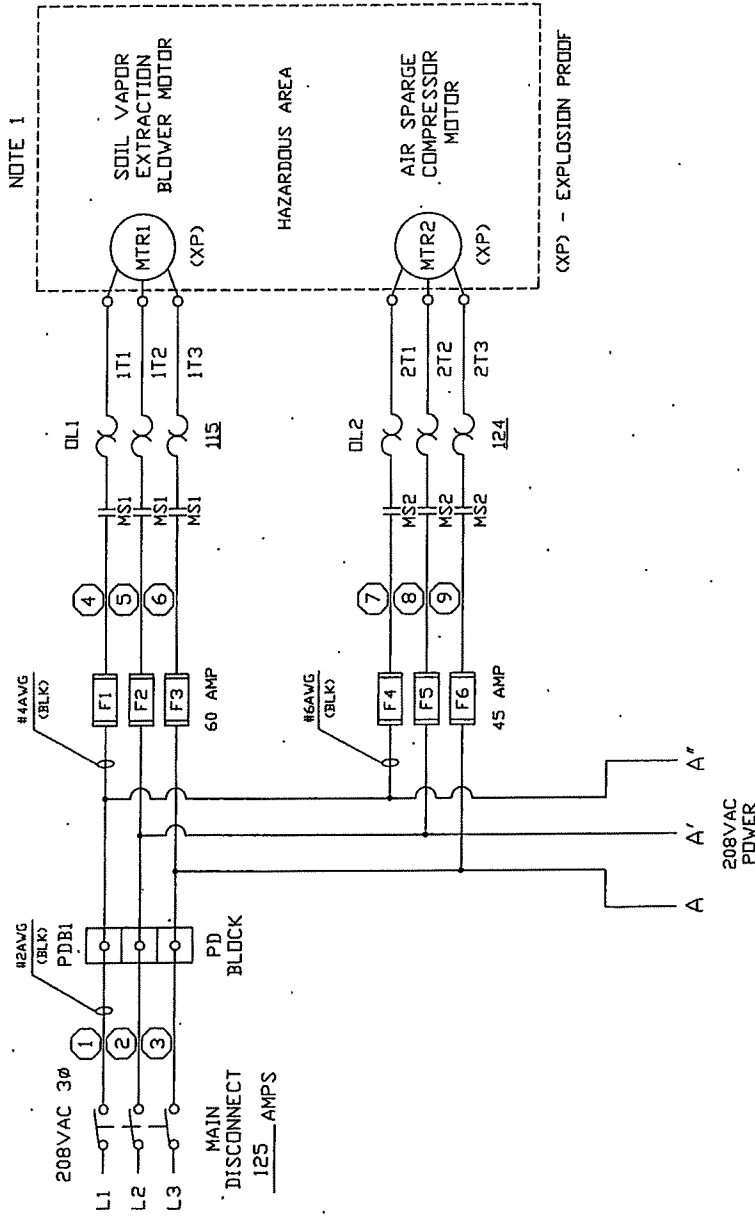
---

- 1 each CS-24b  
Condensate Filter Separator, flow to 850 CFM.
- 1 each CS24-1PC  
High Level Sensor/Sight Tube, for CS-24b condensate filter separator.
- 1 each EF8030G17SS  
Solenoid Drain Valve, 1/2", for condensate separator, 120 VAC, N.C.,  
XP, stainless steel, rated for vacuum service.
- 1 each F64-2  
Inlet Filer/Silencer, 2" MNPT, for dilution air/bleed valve.
- 1 each R775  
EPG Series R775 Controller, UL listed, 208 V, 3PH, NEMA 4 enclosure  
with dead front, inner door, stainless steel drip shield, padlocking  
handle, and main disconnect, to control 15 HP vapor extraction blower,  
HOA switch, green run light, elapsed time meter, 24 hour cycle timer,  
intrinsically safe high condensate level sensor, red high level indicator  
light, solenoid drain valve with on-delay timer, green open indicator  
light, manual drain push button, drain cycle counter, 10 HP air sparge  
compressor, HOA switch, green run light, elapsed time meter, 24 hour  
cycle timer, run interlock with SVE blower in AUTO, and power for  
heater and thermostat, fan and thermostat, and lights and switch.

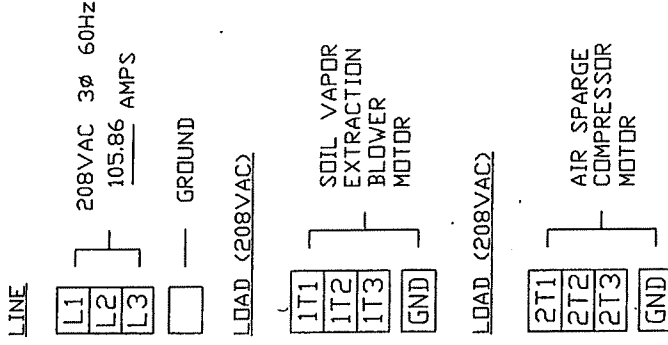
**\*Note: See individual O & M Manuals shipped directly with parts.**

RDG GEOSCIENCE & ENGINEERING INC

RITEWAY



FIELD WIRING TERMINALS



MOTOR	HP	VOLTAGE	FLA	FUSE SIZE
SOIL VAPOR EXTRACTION BLOWER	15	208	47.8	60A
AIR SPARGE COMPRESSOR	10	208	32.7	45A

FUSE	TYPE	RATING
F1-F3	FRN-R	60
F4-F6	FRN-R	45
F7-F8	FRN-R	12
F9-F10	FRN-R	12
F11	FNM	2
F12	FNM	8
F13	FNM	9

FOR NOTES AND REVISIONS SEE SHEET 6

AS BUILT

THIS DRAWING IS THE PROPERTY OF EPG COMPANIES FOR REFERENCE ONLY.

NOTICE © EPG Companies Inc. 2008

JOB No. 06-7891

EPG COMPANIES

SERIES R775 - CONTROL CENTER

208VAC 3Ø SH 1 OF 6

NO	DATE	BY
1		
2		
3		
4		
5		

TOLERANCES EXCEPT AS NOTED

FRACTIONAL

DRAWN BY RCK DATE 05-03-06

CHECKED BY RCK DATE 05-03-06

ISSUED BY RCK DATE 05-03-06

PROJECT NO. 07666-0250

A ③ A' ② A' ①

39

41

43

45

47

49

51

53

55

57

59

61

63

65

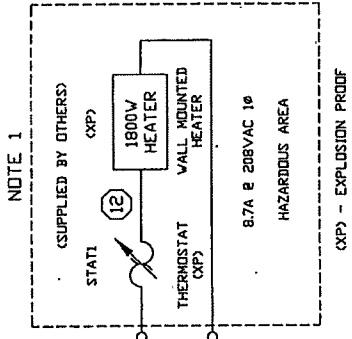
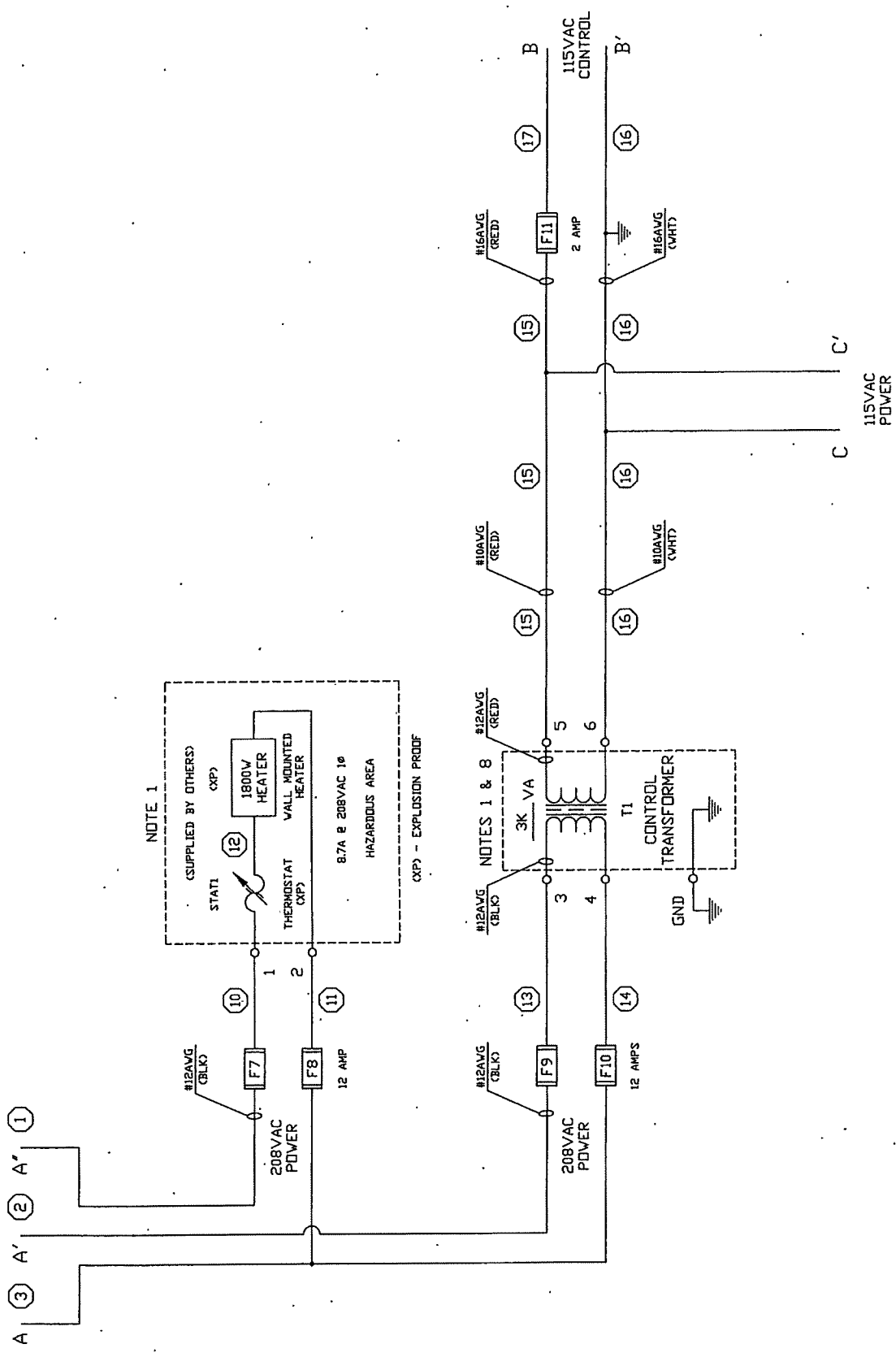
67

69

71

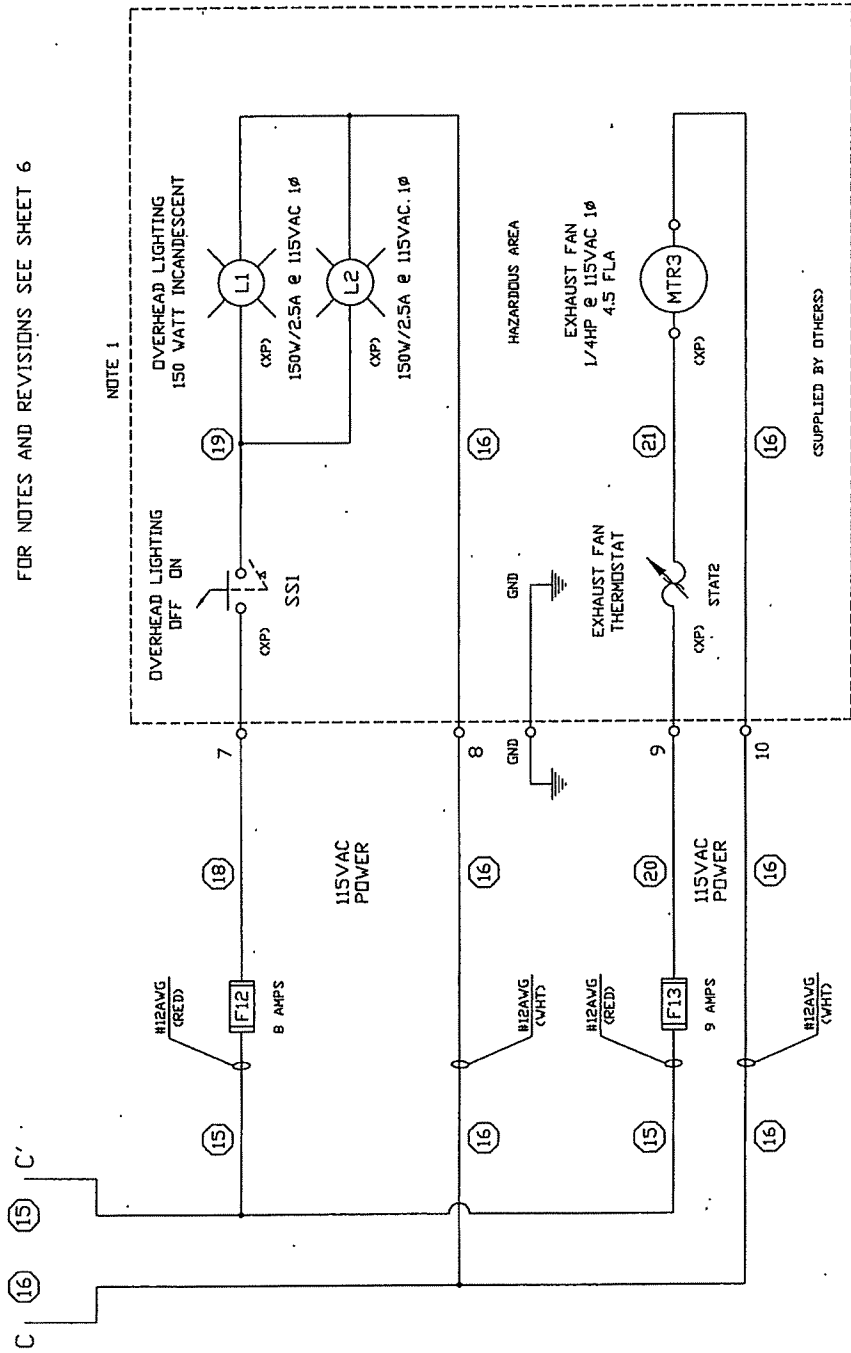
73

75



JOB No.		06-7891	
* NOTICE * © EPG Companies Inc. 2008			
THIS DRAWING IS THE PROPERTY OF EPG COMPANIES FOR REFERENCE ONLY.			
TOLERANCES			
UNLESS OTHERWISE SPECIFIED			
1	2	3	4
±0.005	±0.010	±0.015	±0.020
±0.001	±0.002	±0.003	±0.004
±0.0005	±0.001	±0.0015	±0.002
±0.0001	±0.0002	±0.0003	±0.0004
±0.00005	±0.0001	±0.00015	±0.0002
±0.00001	±0.00002	±0.00003	±0.00004
±0.000005	±0.00001	±0.000015	±0.00002
±0.000001	±0.000002	±0.000003	±0.000004
±0.0000005	±0.000001	±0.0000015	±0.000002
±0.0000001	±0.0000002	±0.0000003	±0.0000004
±0.00000005	±0.0000001	±0.00000015	±0.0000002
±0.00000001	±0.00000002	±0.00000003	±0.00000004
±0.000000005	±0.00000001	±0.000000015	±0.00000002
±0.000000001	±0.000000002	±0.000000003	±0.000000004
±0.0000000005	±0.000000001	±0.0000000015	±0.000000002
±0.0000000001	±0.0000000002	±0.0000000003	±0.0000000004
±0.00000000005	±0.0000000001	±0.00000000015	±0.0000000002
±0.00000000001	±0.00000000002	±0.00000000003	±0.00000000004
±0.000000000005	±0.00000000001	±0.000000000015	±0.00000000002
±0.000000000001	±0.000000000002	±0.000000000003	±0.000000000004
±0.0000000000005	±0.000000000001	±0.0000000000015	±0.000000000002
±0.0000000000001	±0.0000000000002	±0.0000000000003	±0.0000000000004
±0.00000000000005	±0.0000000000001	±0.00000000000015	±0.0000000000002
±0.00000000000001	±0.00000000000002	±0.00000000000003	±0.00000000000004
±0.000000000000005	±0.00000000000001	±0.000000000000015	±0.00000000000002
±0.000000000000001	±0.000000000000002	±0.000000000000003	±0.000000000000004
±0.0000000000000005	±0.000000000000001	±0.0000000000000015	±0.000000000000002
±0.0000000000000001	±0.0000000000000002	±0.0000000000000003	±0.0000000000000004
±0.00000000000000005	±0.0000000000000001	±0.00000000000000015	±0.0000000000000002
±0.00000000000000001	±0.00000000000000002	±0.00000000000000003	±0.00000000000000004
±0.000000000000000005	±0.00000000000000001	±0.000000000000000015	±0.00000000000000002
±0.000000000000000001	±0.000000000000000002	±0.000000000000000003	±0.000000000000000004
±0.0000000000000000005	±0.000000000000000001	±0.0000000000000000015	±0.000000000000000002
±0.0000000000000000001	±0.0000000000000000002	±0.0000000000000000003	±0.0000000000000000004
±0.00000000000000000005	±0.0000000000000000001	±0.00000000000000000015	±0.0000000000000000002
±0.00000000000000000001	±0.00000000000000000002	±0.00000000000000000003	±0.00000000000000000004
±0.000000000000000000005	±0.00000000000000000001	±0.000000000000000000015	±0.00000000000000000002
±0.000000000000000000001	±0.000000000000000000002	±0.000000000000000000003	±0.000000000000000000004
±0.0000000000000000000005	±0.000000000000000000001	±0.0000000000000000000015	±0.000000000000000000002
±0.0000000000000000000001	±0.0000000000000000000002	±0.0000000000000000000003	±0.0000000000000000000004
±0.00000000000000000000005	±0.0000000000000000000001	±0.00000000000000000000015	±0.0000000000000000000002
±0.00000000000000000000001	±0.00000000000000000000002	±0.00000000000000000000003	±0.00000000000000000000004
±0.000000000000000000000005	±0.00000000000000000000001	±0.000000000000000000000015	±0.00000000000000000000002
±0.000000000000000000000001	±0.000000000000000000000002	±0.000000000000000000000003	±0.000000000000000000000004
±0.0000000000000000000000005	±0.000000000000000000000001	±0.0000000000000000000000015	±0.000000000000000000000002
±0.0000000000000000000000001	±0.0000000000000000000000002	±0.0000000000000000000000003	±0.0000000000000000000000004
±0.00000000000000000000000005	±0.0000000000000000000000001	±0.00000000000000000000000015	±0.0000000000000000000000002
±0.00000000000000000000000001	±0.00000000000000000000000002	±0.00000000000000000000000003	±0.00000000000000000000000004
±0.000000000000000000000000005	±0.00000000000000000000000001	±0.000000000000000000000000015	±0.00000000000000000000000002
±0.000000000000000000000000001	±0.000000000000000000000000002	±0.000000000000000000000000003	±0.000000000000000000000000004
±0.0000000000000000000000000005	±0.000000000000000000000000001	±0.0000000000000000000000000015	±0.000000000000000000000000002
±0.0000000000000000000000000001	±0.0000000000000000000000000002	±0.0000000000000000000000000003	±0.0000000000000000000000000004
±0.00000000000000000000000000005	±0.0000000000000000000000000001	±0.00000000000000000000000000015	±0.0000000000000000000000000002
±0.00000000000000000000000000001	±0.00000000000000000000000000002	±0.00000000000000000000000000003	±0.00000000000000000000000000004
±0.000000000000000000000000000005	±0.00000000000000000000000000001	±0.000000000000000000000000000015	±0.00000000000000000000000000002
±0.000000000000000000000000000001	±0.000000000000000000000000000002	±0.000000000000000000000000000003	±0.000000000000000000000000000004
±0.0000000000000000000000000000005	±0.000000000000000000000000000001	±0.0000000000000000000000000000015	±0.000000000000000000000000000002
±0.0000000000000000000000000000001	±0.0000000000000000000000000000002	±0.0000000000000000000000000000003	±0.0000000000000000000000000000004
±0.00000000000000000000000000000005	±0.0000000000000000000000000000001	±0.00000000000000000000000000000015	±0.0000000000000000000000000000002
±0.00000000000000000000000000000001	±0.00000000000000000000000000000002	±0.00000000000000000000000000000003	±0.00000000000000000000000000000004
±0.000000000000000000000000000000005	±0.00000000000000000000000000000001	±0.000000000000000000000000000000015	±0.00000000000000000000000000000002
±0.000000000000000000000000000000001	±0.000000000000000000000000000000002	±0.000000000000000000000000000000003	±0.000000000000000000000000000000004
±0.0000000000000000000000000000000005	±0.000000000000000000000000000000001	±0.0000000000000000000000000000000015	±0.000000000000000000000000000000002
±0.0000000000000000000000000000000001	±0.0000000000000000000000000000000002	±0.0000000000000000000000000000000003	±0.0000000000000000000000000000000004
±0.00000000000000000000000000000000005	±0.0000000000000000000000000000000001	±0.00000000000000000000000000000000015	±0.0000000000000000000000000000000002
±0.00000000000000000000000000000000001	±0.00000000000000000000000000000000002	±0.00000000000000000000000000000000003	±0.00000000000000000000000000000000004
±0.000000000000000000000000000000000005	±0.00000000000000000000000000000000001	±0.000000000000000000000000000000000015	±0.00000000000000000000000000000000002
±0.000000000000000000000000000000000001	±0.000000000000000000000000000000000002	±0.000000000000000000000000000000000003	±0.000000000000000000000000000000000004
±0.0000000000000000000000000000000000005	±0.000000000000000000000000000000000001	±0.0000000000000000000000000000000000015	±0.000000000000000000000000000000000002
±0.0000000000000000000000000000000000001	±0.0000000000000000000000000000000000002	±0.0000000000000000000000000000000000003	±0.0000000000000000000000000000000000004
±0.00000000000000000000000000000000000005	±0.0000000000000000000000000000000000001	±0.00000000000000000000000000000000000015	±0.0000000000000000000000000000000000002
±0.00000000000000000000000000000000000001	±0.00000000000000000000000000000000000002	±0.00000000000000000000000000000000000003	±0.00000000000000000000000000000000000004
±0.000000000000000000000000000000000000005	±0.00000000000000000000000000000000000001	±0.000000000000000000000000000000000000015	±0.00000000000000000000000000000000000002
±0.000000000000000000000000000000000000001	±0.000000000000000000000000000000000000002	±0.000000000000000000000000000000000000003	±0.000000000000000000000000000000000000004
±0.0000000000000000000000000000000000000005	±0.000000000000000000000000000000000000001	±0.0000000000000000000000000000000000000015	±0.000000000000000000000000000000000000002
±0.0000000000000000000000000000000000000001	±0.0000000000000000000000000000000000000002	±0.0000000000000000000000000000000000000003	±0.0000000000000000000000000000000000000004
±0.005	±0.0000000000000000000000000000000000000001	±0.00000000000000000000000000000000000000015	±0.0000000000000000000000000000000000000002
±0.001	±0.002	±0.003	±0.004
±0.0005	±0.001	±0.0015	±0.002
±0.0001	±0.0002	±0.0003	±0.0004
±0.005	±0.0001	±0.00015	±0.0002
±0.001	±0.002	±0.003	±0.00000

FOR NOTES AND REVISIONS SEE SHEET 6



NOTE 1

OVERHEAD LIGHTING  
150 WATT INCANDESCENT

OVERHEAD LIGHTING  
OFF ON

L1  
150W/2.5A @ 115VAC 1Ø

L2  
150W/2.5A @ 115VAC 1Ø

115VAC  
POWER

HAZARDOUS AREA  
EXHAUST FAN  
1/4HP @ 115VAC 1Ø  
4.5 FLA

EXHAUST FAN  
THERMOSTAT

115VAC  
POWER

(SUPPLIED BY OTHERS)

EXP - EXPLOSION PROOF

77

79

81

83

85

87

89

91

93

95

97

99

101

103

105

107

109

113

JOB No.		06-7891	
* NOTICE * © EPG Companies Inc. 2006			
THIS DRAWING IS THE PROPERTY OF EPG COMPANIES FOR REFERENCE ONLY.			
TOLERANCES		EPG COMPANIES	
AS NOTED	DATE	BY	
1			
2			
3			
4			
5			
SECTION	RCK	DRAWN	RCK
TITLE	SERIES R775 CONTROLLER		
SCALE	208VAC 3Ø SH 3 OF 6		
DATE	05-03-06	REVISED	
APP'D		DATE	07666-0252

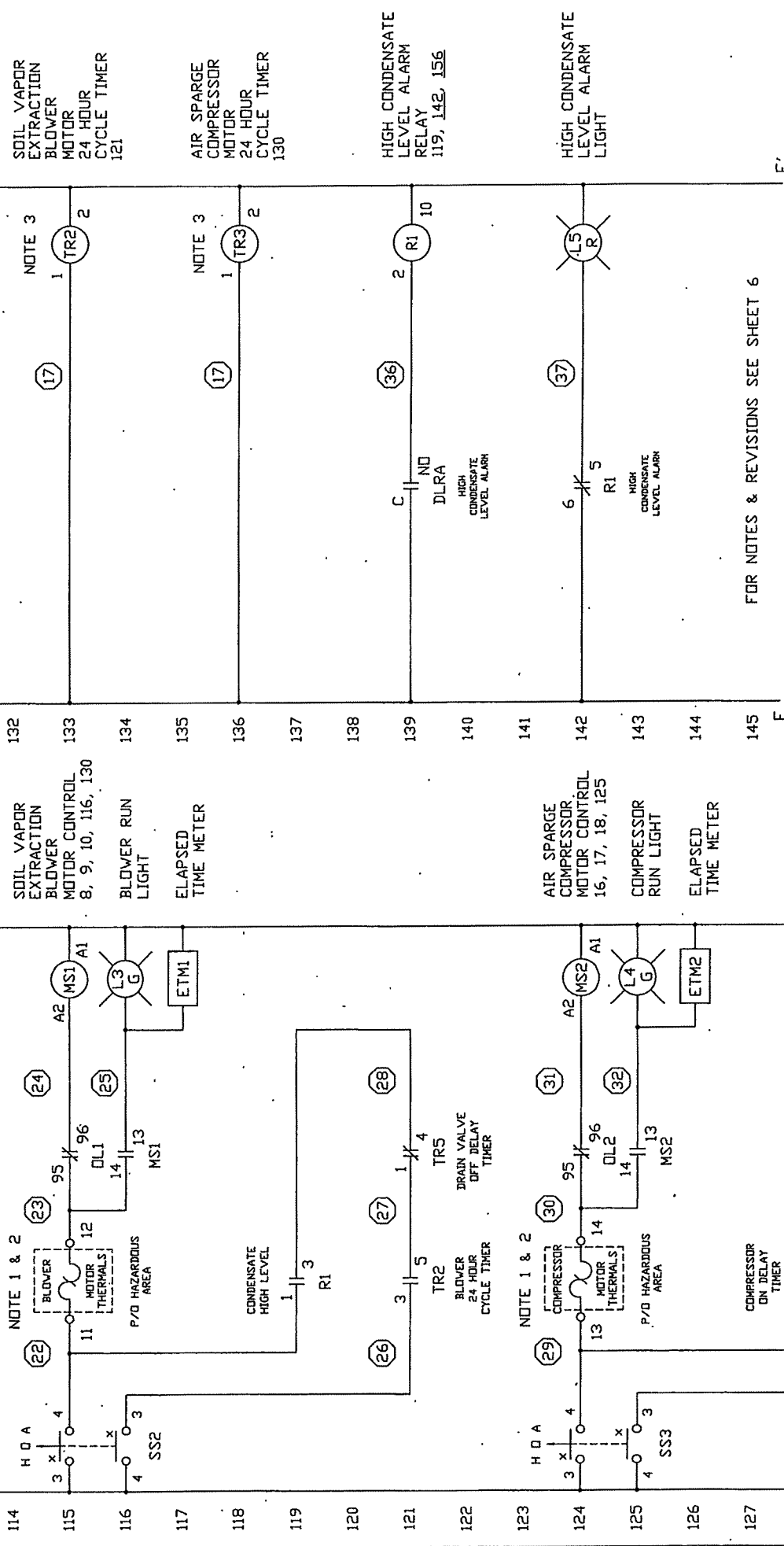
# AS-BUILT

17

16

15

14



132

133

134

135

136

137

138

139

140

141

142

143

144

145

E

D

D'

E'

D

E

D'

E'

D

E

D'

E'

D

E

D'

E'

D

E

D'

E'

D

E

D'

E'

D

E

D'

E'

D

E

D'

E'

D

E

D'

E'

D

E

D'

E'

D

E

D'

E'

D

E

D'

E'

D

E

D'

E'

D

E

D'

E'

D

E

D'

E'

D

E

D'

E'

D

E

D'

E'

D

E

D'

E'

D

E

D'

E'

D

E

D'

E'

D

E

D'

E'

D

E

D'

E'

D

E

D'

E'

D

E

D'

E'

D

E

D'

E'

D

E

D'

E'

D

E

D'

E'

D

E

D'

E'

D

E

D'

E'

D

E

D'

E'

D

E

D'

E'

D

E

D'

E'

D

E

D'

E'

D

E

D'

E'

D

E

D'

E'

D

E

D'

E'

D

E

D'

E'

D

E

D'

E'

D

E

D'

E'

D

E

D'

E'

D

E

D'

E'

D

E

D'

E'

D

E

D'

E'

D

E

D'

E'

D

E

D'

E'

D

E

D'

E'

D

E

D'

E'

D

E

D'

E'

D

E

D'

E'

D

E

D'

E'

D

E

D'

E'

D

E

D'

E'

D

E

D'

E'

D

E

D'

E'

D

E

D'

E'

D

E

D'

E'

D

E

D'

E'

D

E

D'

E'

D

E

D'

E'

D

E

D'

E'

D

E

D'

E'

D

E

D'

E'

D

E

D'

E'

D

E

D'

E'

D

E

D'

E'

D

E

D'

E'

D

E

D'

E'

D

E

D'

E'

D

E

D'

E'

D

E

D'

E'

D

E

D'

E'

D

E

D'

E'

D

E

D'

E'

D

E

D'

E'

D

E

D'

E'

D

E

D'

E'

D

E

D'

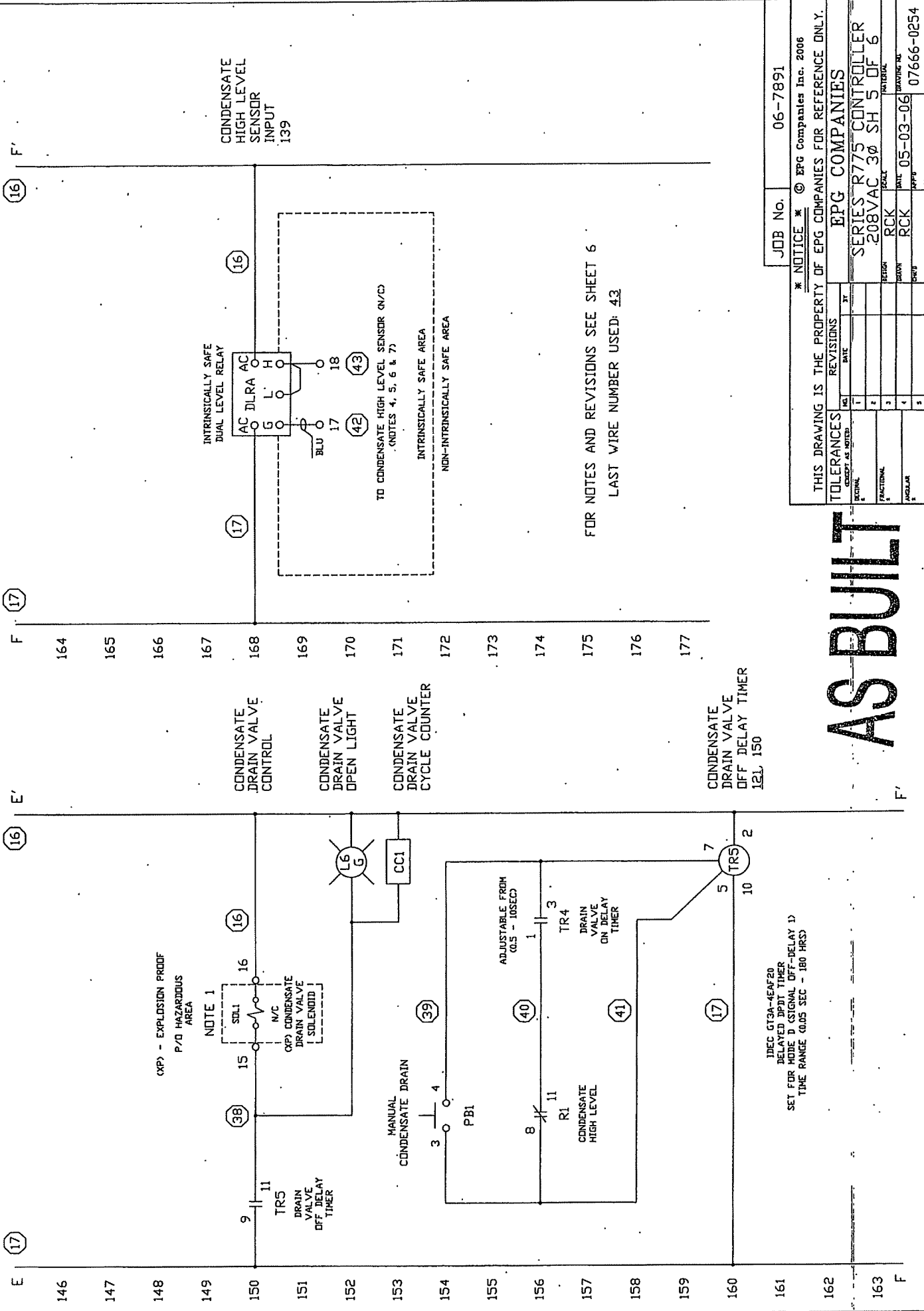
E'

D

E

D'





CONDENSATE HIGH LEVEL SENSOR INPUT 139

INTRINSICALLY SAFE DUAL LEVEL RELAY

TO CONDENSATE HIGH LEVEL SENSOR (N/C) (NOTES 4, 5, 6 & 7)

NON-INTRINSICALLY SAFE AREA

FOR NOTES AND REVISIONS SEE SHEET 6  
LAST WIRE NUMBER USED: 43

JOB No.		06-7891	
* NOTICE * © EPG Companies Inc. 2006			
THIS DRAWING IS THE PROPERTY OF EPG COMPANIES FOR REFERENCE ONLY.			
TOLERANCES		REVISIONS	
UNLESS SPECIFIED AS NOTED	NO.	DATE	BY
FORMING	1		
FRACTONAL	2		
ANGULAR	3		
	4		
	5		
MATERIAL		DRAWING NO.	
RCK	RCK	DATE	05-03-06
		APP'D	
		07666-0254	

**AS BUILT**

TR5  
DRAIN VALVE OFF DELAY TIMER  
12L 150

TR4  
DRAIN VALVE ON DELAY TIMER

R1  
CONDENSATE HIGH LEVEL

TR5  
DRAIN VALVE OFF DELAY TIMER  
12L 150

TR4  
DRAIN VALVE ON DELAY TIMER

R1  
CONDENSATE HIGH LEVEL

