

AS BUILT REPORT

**ROESNER OIL
COOK, NEBRASKA**

UG#: 080492-MF-1245

**REMEDIAL IMPLEMENTATION
PERFORMED BY:
CORANCO GREAT PLAINS, INC.
141 W 10TH ST, PO BOX 23
WAHOO, NE 68066**

REPORT PREPARED BY:

Meghan E Greiner

**MEGHAN E. GREINER
STAFF ENGINEER, CGP**

REPORT REVIEWED BY:

Matthew M. Kralik

**MATTHEW M. KRALIK, P.E.
SENIOR ENGINEER, CGP**

SUBMITTAL DATE: July 22, 2003

CD -2017- 0003078



Equipment Description

Note: Power Supply is 230V/3P

RELAY BASED CONTROL PANEL

- Includes
- Nema 4 control panel to be shipped loose
 - Relays for control circuitry
 - Sensaphone 1104 autodialer
 - Primary circuit protection using 100 amp fused main disconnect
 - Branch circuit protection with breakers for:
 - SVE motor (15 HP)
 - VLS Transfer pump motor (1 HP)
 - Building ventilation fan
 - Building heater
 - Building light
 - GFCI receptacle
 - Two (2) motor starters with overload protection:
 - SVE motor
 - VLS Transfer pump motor
 - System inputs to include:
 - VLS high level switch
 - VLS high level pump control switch
 - System outputs to include:
 - SVE blower
 - VLS transfer pump

The outside cover of the control panel to contain the following:

Two (2) HOA switches with green run lights:

- SVE motor
- VLS Transfer pump motor

One (1) HO switch:

- Building light

One (1) amber light:

- Main power on/off

One (1) Red alarm indicator light

- VLS HHL

One (1) alarm reset button

Two (2) hour meters for:

- SVE motor
- VLS Transfer pump motor

One (1) adjustable delay timer – to be used with VLS high level switch to shut pump off (adjustable from 1 to 5 minutes)

One 24 V power supply

Two (2) IS Barriers:

- VLS HHL alarm switch
- VLS High level pump control switch

Wired and installed

Factory tested prior to shipping

Detailed manuals

FREIGHT AS INCURRED

INCLUDED

Detailed manuals

Shipping

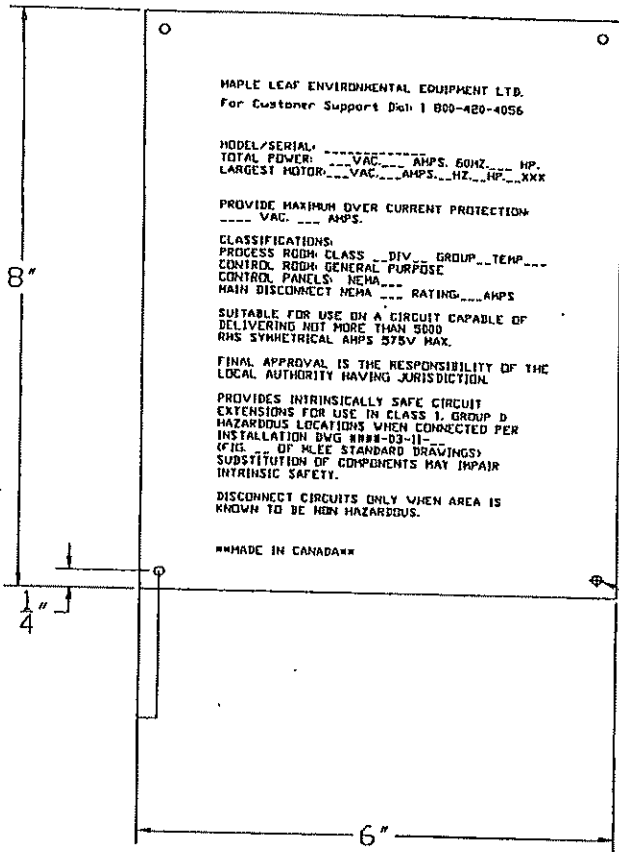
NOT INCLUDED

Electrical service and hook-up to system

Federal, State/Provincial, or Local taxes unless otherwise stated

Local approvals and certificates

Fig. 19 UL Label for Classified Areas



METAL NAME PLATE WITH BLACK WRITING

ATT: _____ FAX: _____

NAME: _____

PO#: _____

REQ DATE: _____

MAPLE LEAF ENVIRONMENTAL EQUI
For Technical Support Dial: 1 80

MODEL/SERIAL: 8380

TOTAL POWER: 230 VAC. 60 AMP
LARGEST MOTOR: 230 VAC. 36 AMPS.

PROVIDE MAXIMUM OVER CURRENT
230 VAC. 100 AMPS.

CLASSIFICATIONS:
CONTROL PANEL BUILT ACCORDING
CONTROL PANELS RELATING TO HA
CONTROL PANELS: NEMA 4
MAIN DISCONNECT NEMA 3R RATING

SUITABLE FOR USE ON A CIRCUIT
DELIVERING NOT MORE THAN 5000
RMS SYMMETRICAL AMPS 575V MAX

EVALUATED BY APPROVAL AUTHOR
FEATURES ONLY

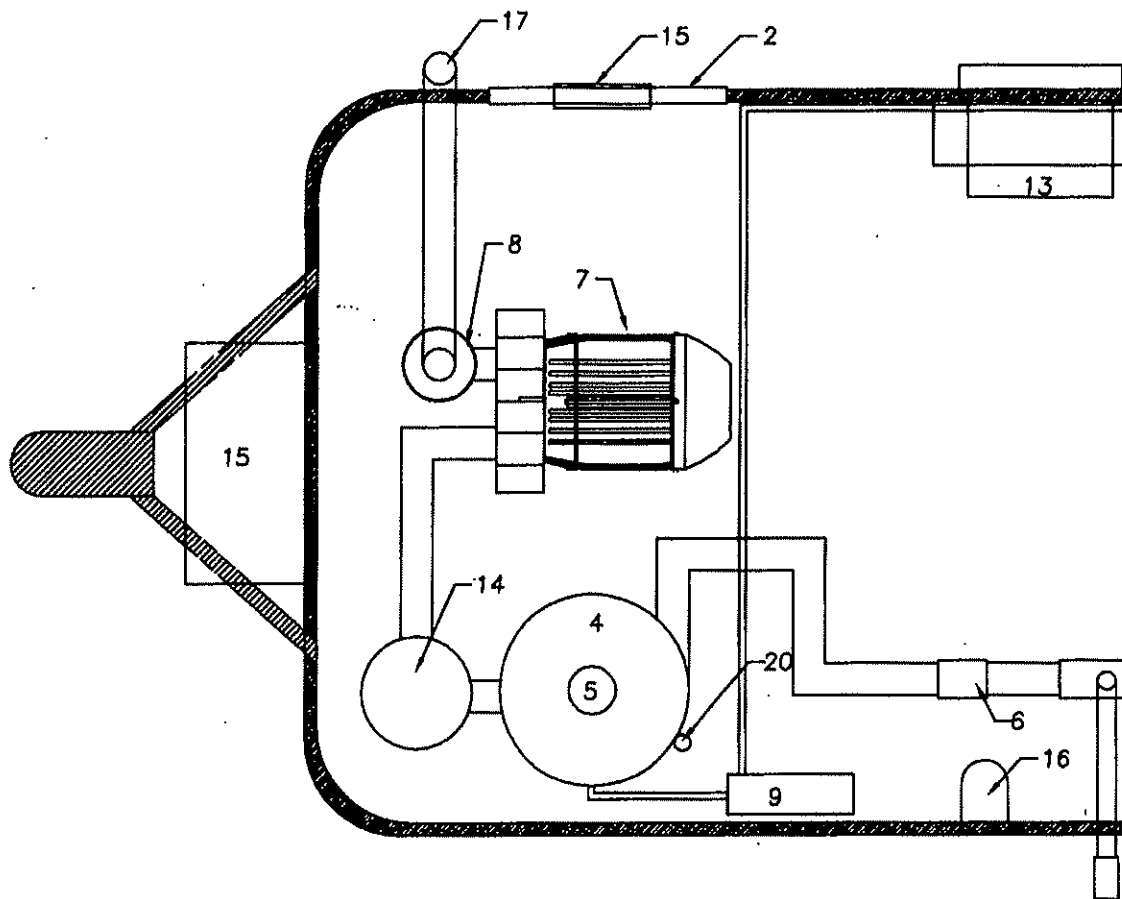
FINAL APPROVAL IS THE RESPON
LOCAL AUTHORITY HAVING JURISD:

PROVIDES INTRINSICALLY SAFE CI
EXTENSIONS FOR USE IN CLASS 1,
HAZARDOUS LOCATIONS WHEN CONN
INSTALLATION DWG #####-03-6
SUBSTITUTION OF COMPONENTS MA
INTRINSIC SAFETY.

DISCONNECT CIRCUITS ONLY WHEN
KNOWN TO BE NON HAZARDOUS.

MADE IN CANADA

A	FEB 12, 03	JK	FOR APPROVAL	



Legend

- | | |
|-----------------------------------|----|
| 1-Doolittle Trailer | 11 |
| 2-Trailer Doors | 17 |
| 3-SVE Manifold | 18 |
| 4-40 Gallon Knockout Tank | 19 |
| 5-Vacuum Relief Valve | 20 |
| 6-Ratron FM40C850Q Flow Meter | |
| 7-15 Hp Regenerative SVE Unit | |
| 8-Carbon Steel Discharge Silencer | |
| 9-1/2 Hp Transfer Pump | |
| 10-Water Particulate Filter | |
| 11-90 Pound Carbon Unit | |
| 12-Explosion Proof Heater | |
| 13-Hazardous Location Vent Fan | |
| 14-SVE Intake Filter | |
| 15-NEMA 4 Control Panel | |

