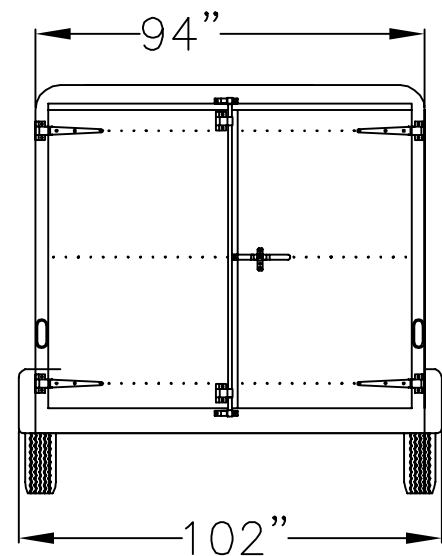
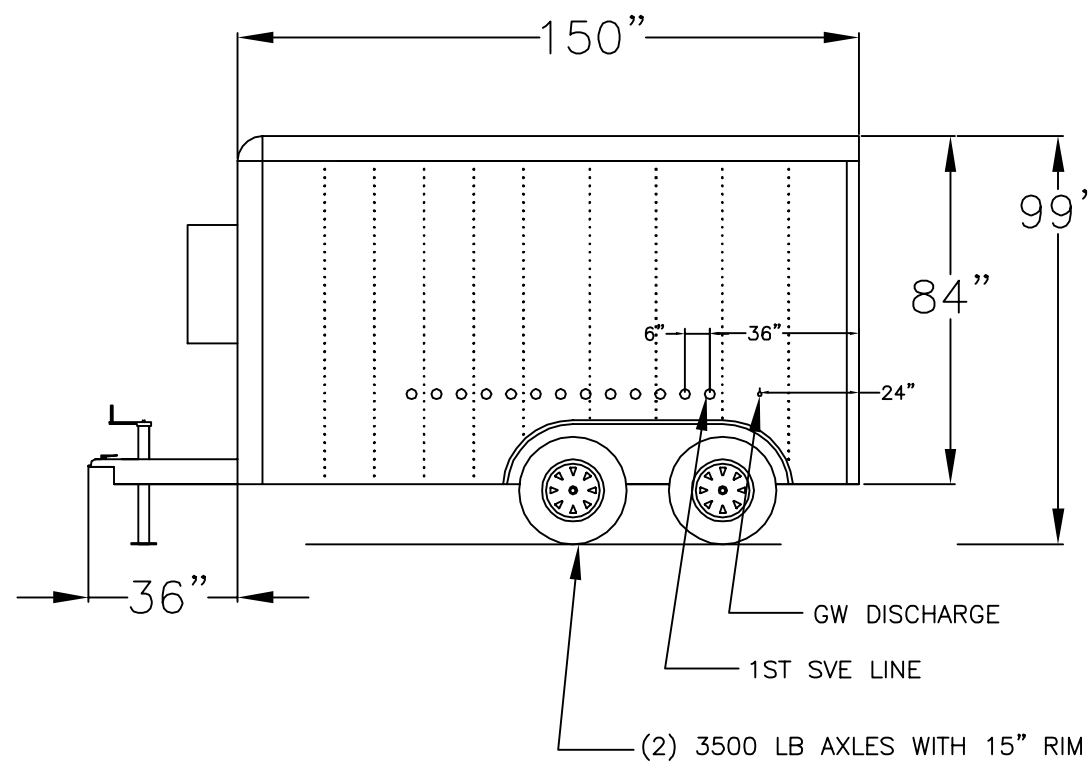


**SECTION TOP VIEW**

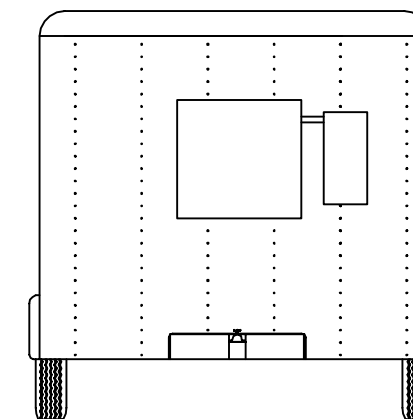
Note:  
 1. 8'x12'x6.5' enclosed trailer with tandem 3500 lb axle, R-5 insulation walls and ceiling.  
 2. Interior wired per NEC for Class I, Division II, Group D area, exterior considered non-classified beyond 5' from any opening per NEC article 500 table 515.



**REAR VIEW**



**SIDE VIEW**



**FRONT VIEW**

REVISIONS			
REV	DESCRIPTION	DATE	DWN

UNLESS SPECIFIED OTHERWISE  
 \* DIMENSIONS ARE IN INCHES  
 \* DO NOT SCALE DRAWING

DRAWN BY: MK  
 DESIGNED BY: MK  
 PROJECT MGR.: MH  
 DATE: 11/9/08  
 PROJECT NO.: 2596

THESE MATERIALS ARE PROPRIETARY AND SHALL REMAIN THE PROPERTY OF H2K TECHNOLOGIES, INC. BUYER SHALL HAVE THE USE OF MATERIALS AND INFORMATION FOR THE LIMITED PURPOSE OF INSTALLING AND MAINTAINING THE EQUIPMENT SOLD BY H2K TECHNOLOGIES, INC. NOT TO BE REPRODUCED WITHOUT WRITTEN PERMISSION.

**H2K**  
 Technologies, Inc.  
 9851 13th Ave N., Plymouth, MN 55441, Tel: 763-746-9900 ©2003

PROJECT TITLE:  
 TERRACON

DRAWING TITLE:  
 SVE ENCLOSED TRAILER LAYOUT

40965118-2596-02-TRAILER-LAYOUT-as-built.dwg  
 SHEET 1 OF 2  
 DRAWING NO.:  
 2596-02  
**FIGURE 7**