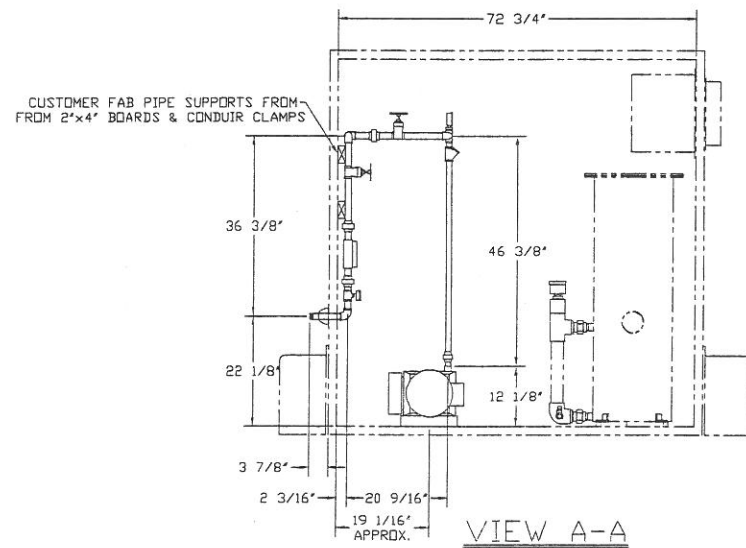


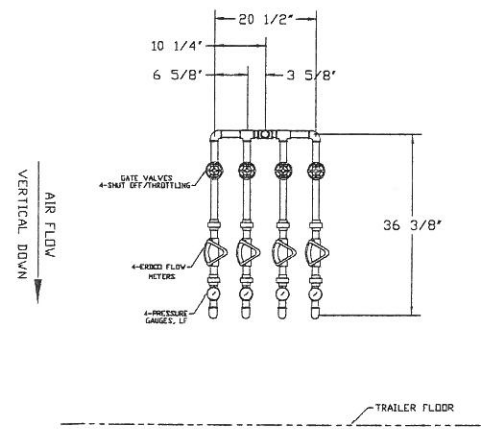
CUSTOMER NOTES:

1. INLET & OUTLET PIPING LOCATIONS ARE APPROX. & CAN VARY DUE TO TRAILER WALL CONSTRUCTION.

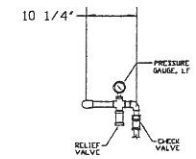
PLAN VIEW



VIEW A-A



MANIFOLD ELEVATION A-A



DETAIL B

* NOTICE * © 2007 EPG Companies Inc.

THIS DRAWING IS THE PROPERTY OF EPG COMPANIES FOR REFERENCE ONLY.

TOLERANCES	REVISIONS	DATE	BY
AS SHOWN	1		
	2		
	3		
	4		
	5		

EPG COMPANIES
AIR SPARGE PACKAGE
(ASP-RV3G)

NO.	REVISED	DATE	BY	SCALE	PROJECT
1				1/2"=1'	
2		05/02/07	C.A.S.		
3					

07788-0000C