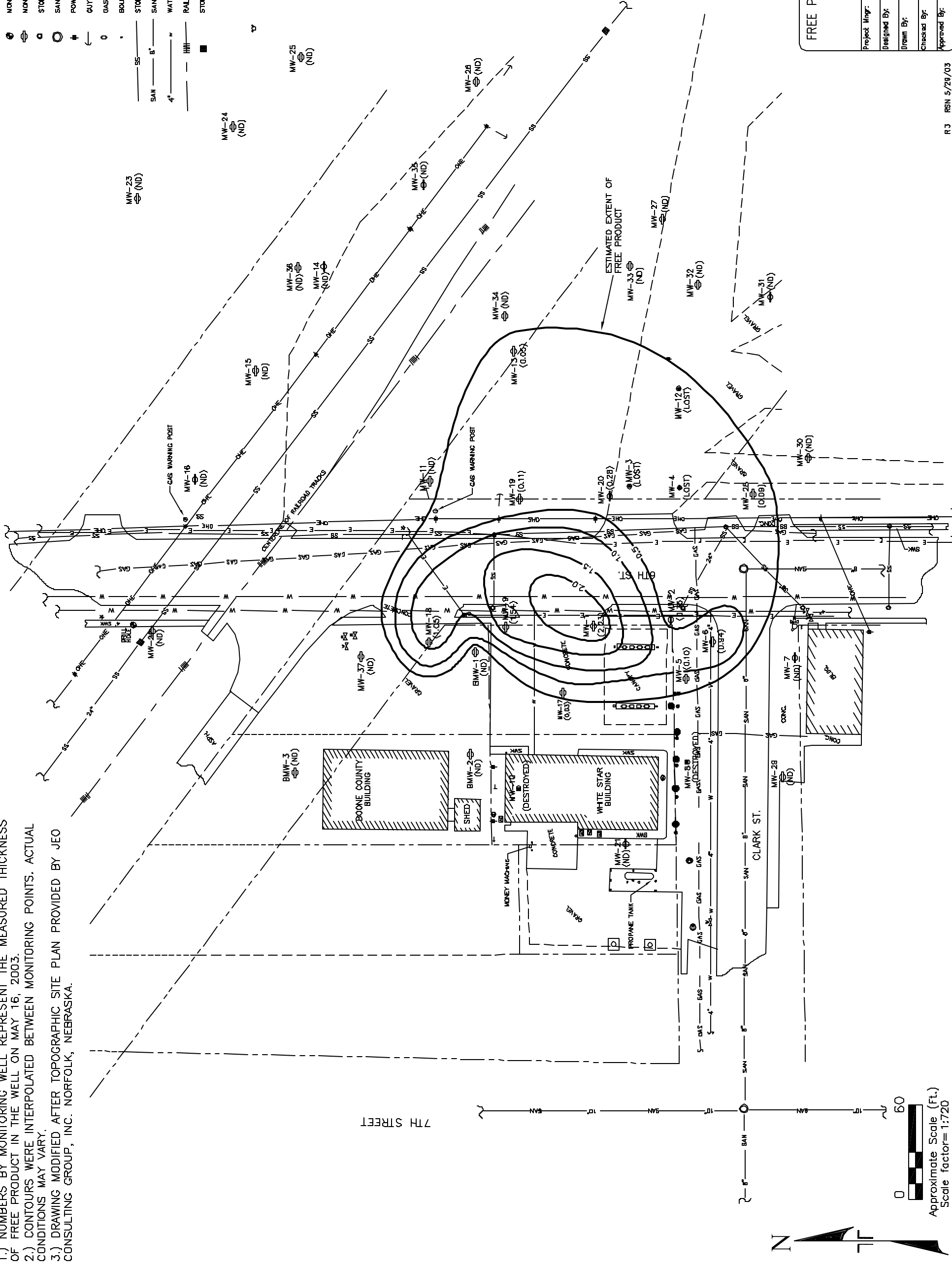


NOTES:

- 1.) NUMBERS BY MONITORING WELL REPRESENT THE MEASURED THICKNESS OF FREE PRODUCT IN THE WELL ON MAY 16, 2003.
- 2.) CONTOURS WERE INTERPOLATED BETWEEN MONITORING POINTS. ACTUAL CONDITIONS MAY VARY.
- 3.) DRAWING MODIFIED AFTER TOPOGRAPHIC SITE PLAN PROVIDED BY JEO CONSULTING GROUP, INC. NORFOLK, NEBRASKA.

LEGEND

- MONUMENT FOUND, AS NOTED
- MONITORING WELL
- STORM SEWER MANHOLE
- SANITARY SEWER MANHOLE
- POWER POLE
- GUY WIRE
- GAS PUMP
- BOLLARD
- STORM SEWER LINE
- SANITARY SEWER LINE
- WATER LINE
- RAILROAD TRACK
- STORM SEWER INLET
- AR CONDITIONER
- LIGHT POLE
- VACUUM
- WATER VALVE
- CURB STOP
- FIRE HYDRANT
- UNDERGROUND FUEL TANK LID
- GAS LINE
- UNDERGROUND ELEC. LINE
- CLEAN OUT
- POWER BOX
- OVERHEAD ELECTRIC LINE
- PROPERTY LINE
- EDGE OF GRAVEL SURFACE



MONITORING WELL ID	NORTHING	EASTING	ELEVATION TO TOP NORTH EDGE OF 2" PVC PIPE	GROUND ELEVATION
MW-1	4708.085	4899.157	1752.83	1753.2
BMW-1	4783.074	4982.553	1783.03	1753.3
BMW-2	4786.256	4917.818	1753.80	1754.1
MW-2	4859.296	5003.244	1752.43	1752.7
BMW-3	4897.879	4906.172	1753.18	1753.5
MW-5	4849.595	4985.826	1752.89	1753.3
MW-6	4832.630	4989.220	1752.78	1753.1
MW-7	4580.560	4979.010	1753.57	1753.8
MW-9	4763.856	4986.529	1752.82	1753.1
MW-11	4811.817	5091.107	1752.13	1752.4
MW-13	4758.732	5173.515	1750.66	1751.0
MW-14	4879.167	5227.241	1749.86	1750.2
MW-15	4822.402	5161.161	1750.85	1751.3
MW-16	4860.872	5082.084	1751.87	1752.0
MW-17	4727.661	4956.791	1753.78	1754.1
MW-18	4812.807	4986.981	1752.71	1753.0
MW-19	4754.991	5079.569	1752.16	1752.5
MW-20	4897.918	5081.491	1752.19	1752.5
MW-21	4887.888	4860.912	1754.15	1754.5
MW-22	4888.193	4895.931	1752.71	1753.0
MW-23	4887.590	5270.417	1749.34	1749.6
MW-24	4936.954	5315.799	1748.24	1749.5
MW-25	4893.595	5359.878	1748.73	1749.0
MW-26	4782.715	5344.361	1748.28	1749.6
MW-27	4884.838	5257.287	1751.07	1751.4
MW-28	4806.922	5082.738	1752.58	1752.9
MW-29	4588.338	4803.419	1753.30	1753.6
MW-30	4572.311	5105.807	1752.95	1753.3
MW-31	4586.167	5207.837	1751.08	1751.4
MW-32	4841.925	5215.653	1750.25	1750.6
MW-33	4885.101	5227.550	1750.92	1751.2
MW-34	4784.488	5195.784	1750.37	1750.7
MW-35	4815.966	5279.971	1748.60	1749.8
MW-36	4895.684	5228.465	1750.07	1750.4
MW-37	4855.463	4980.842	1752.80	1753.2

FREE PRODUCT THICKNESS DIAGRAM—MAY 16, 2003
 WHITE STAR OIL CO. ERCS SITE
 305 NORTH 6TH STREET
 ALBION, NEBRASKA

Terracon

Project No. 40945006
 Scale: AS SHOWN
 File No. 4E006R18
 Date: MAY 2003

Project Mgr: DCJ
 Designed By: DCJ
 Drawn By: RSN
 Checked By: MEH
 Approved By: MEH

Figure No. 4B