

- A = Width at High Water Mark
- B = Width at Inside Top of Dike
- C = Width at Outside top of Dike
- D = Width at Lagoon Bottom

FIG 18.1 Plan View

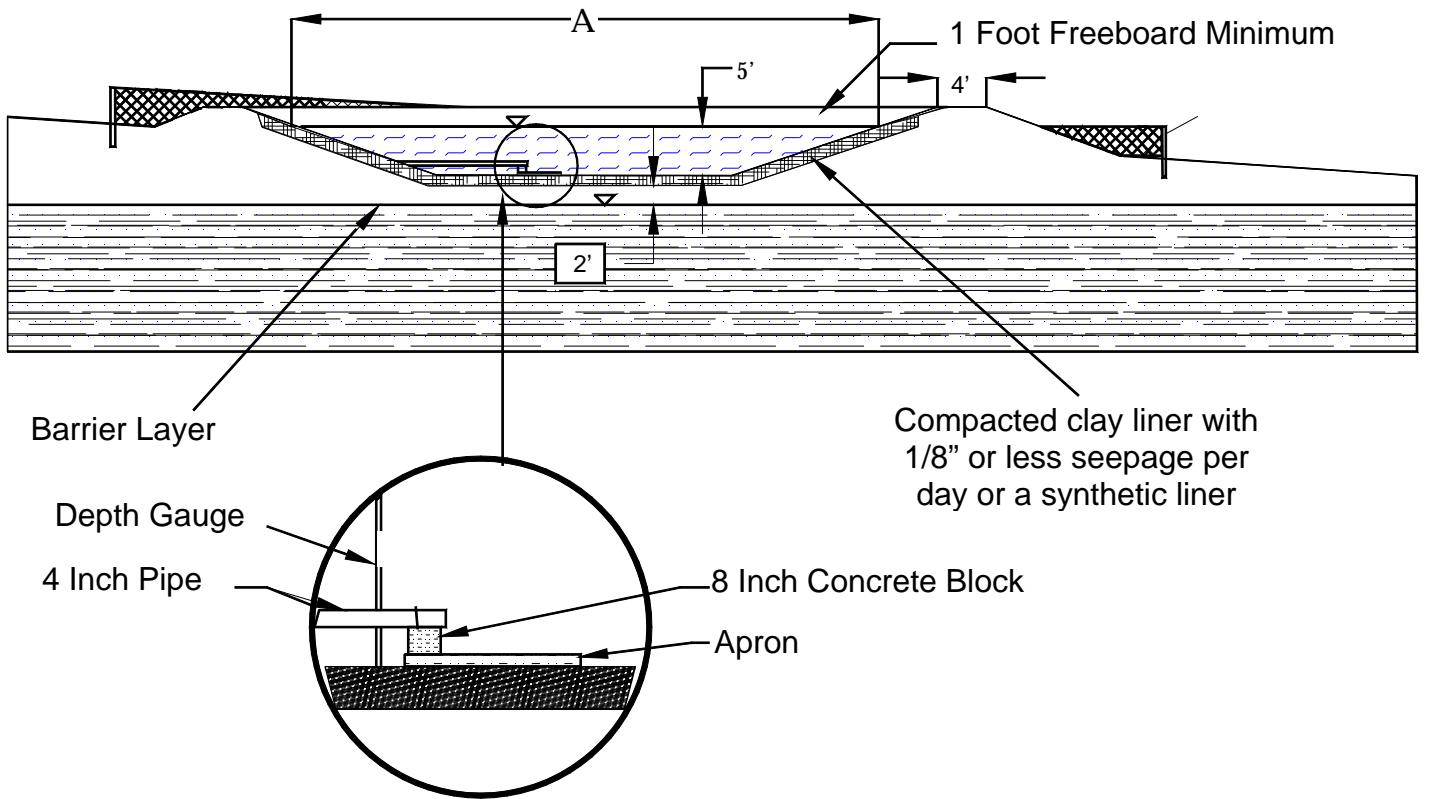


FIG 18.2 Profile View

Total Annual Lake Evaporation

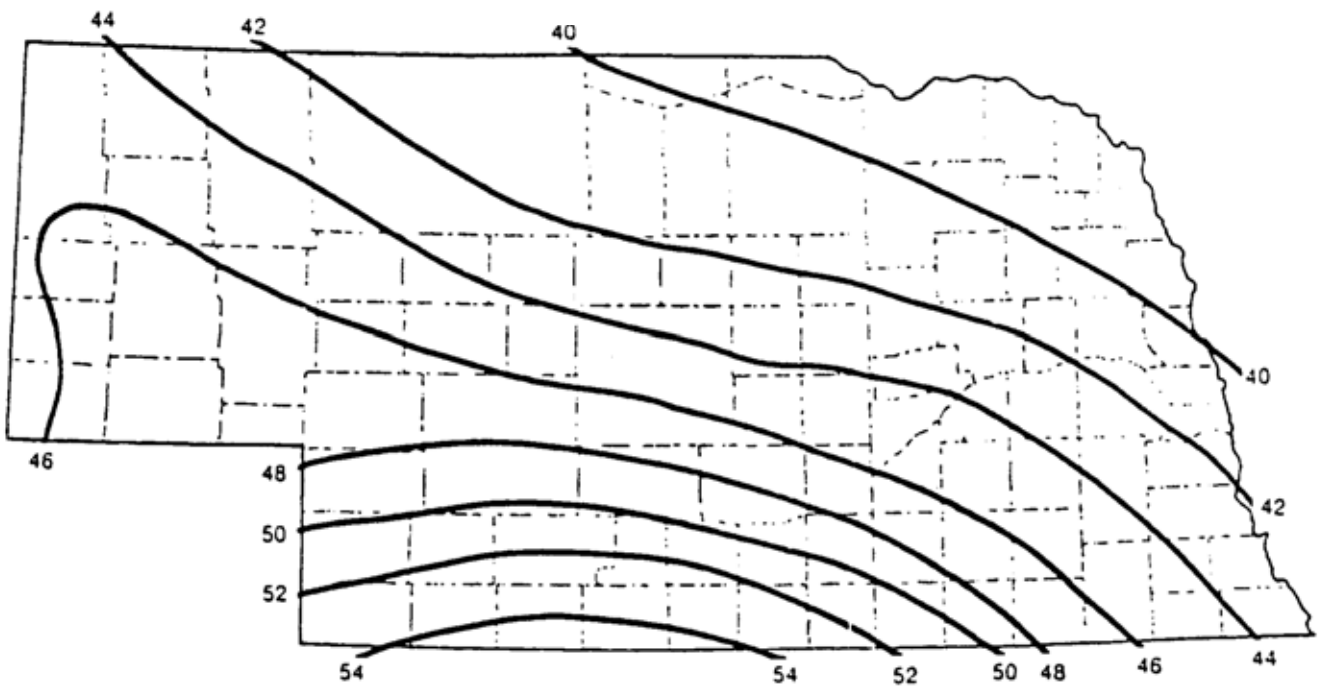


FIG 18.3

Total Annual Precipitation

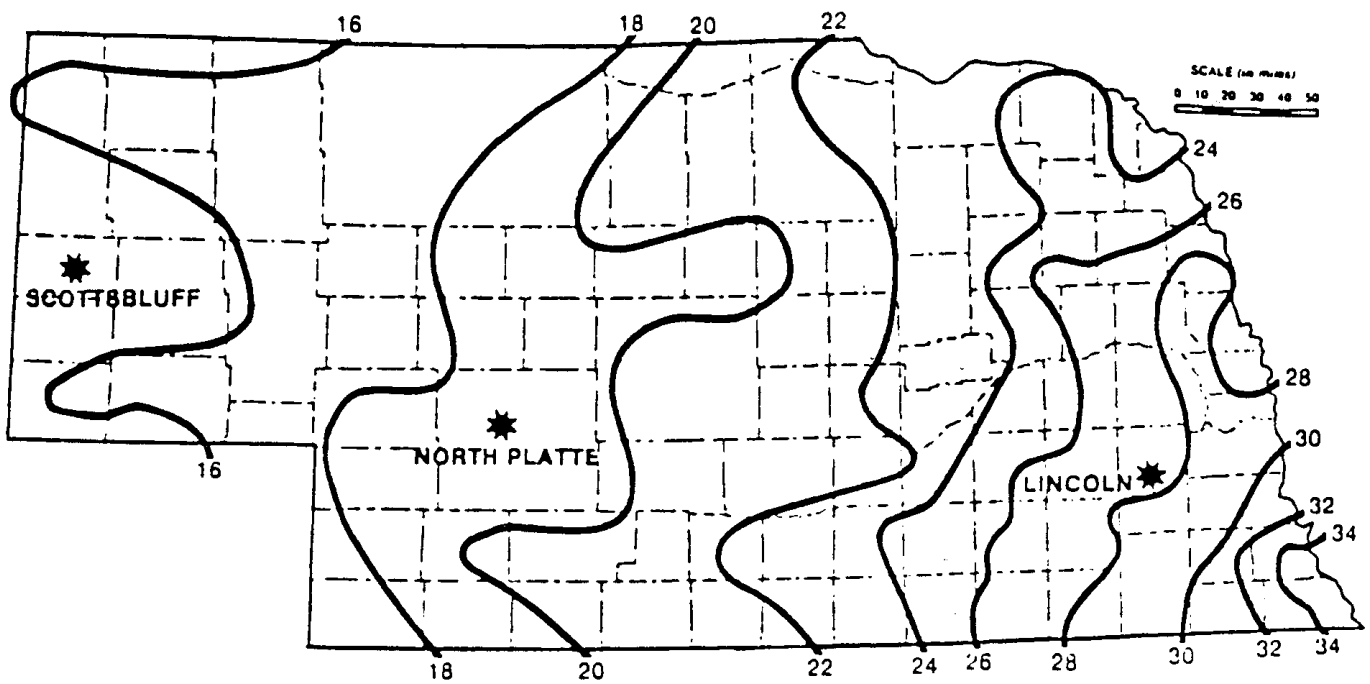


FIG 18.4

Enabling Legislation: Neb. Rev. Stat. 81-1505(8)

Legal Citation: Title 124, Ch. 18, Nebraska Department of Environmental Quality